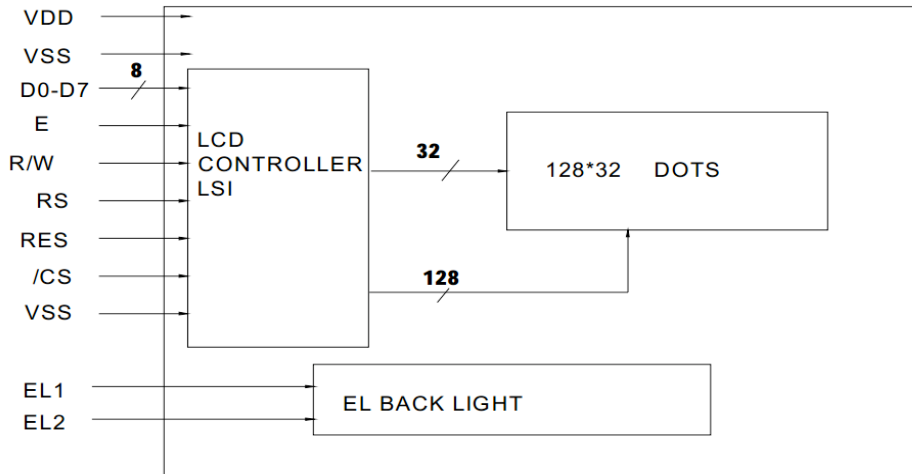




# PRODUCT PREVIEW

## 128 x 32 Monochrome

### 2.0 BLOCK DIAGRAM



### 3.0 ELECTRICAL CHARACTERISTICS (Ta=25 °C, VDD=3.0V±0.25V )

Item	Symbol	Test Condition	Standard Value			
			Min.	Typ.	Max.	Unit
Supply Voltage(Logic)	VDD	25°C	VDD	VDD	VDD	VDD
LCD Operation Voltage	Vop(FSTN)		Vop	Vop	Vop	Vop
LCM Curren Consumption	IDD		IDD	IDD	IDD	IDD
EL Backlight Voltage	Vel		Vel	Vel	Vel	Vel

### 4.0 ABSOLUTE MAXIMUM RATINGS

Item	Symbol	Test Condition	Standard Value		
			Min.	Max.	Unit
Supply Voltage (Logic)	VDD-VSS	25°C	-0.3	7.0	V
Supply Voltage (LCD)	VDD-V0		-0.3	VDD+0.3	V
Input Voltage	VIN		-0.3	VDD+0.3	V
Operating Temp.	TOPR		-0	50	°C
Storage Temp.	TSTG		-10	60	°C

### 5. PIN ASSIGNMENT

Pin No.	Symbol	Level	Function
1	VSS	0V	Ground
2	VDD	+3V	Power supply for logic
3~10	DB0~DB7	H/L	Data bit0~Data bit7
11	E	H	Enable signal
12	R/W	H/L	Read/Write selection H: Read L:Write
13	RS	H/L	Register selection H:Display data L:Control data
14	RES		When /RES is "L", initialization is executed
15	/CS		This is the chip select signal. High active.
16	VSS		Ground
17	EL1		Connect to EL1
18	EL2		Connect to EL2

**Remark:**

1. LCD option: TN,STN, FSTN .
2. Customized module.

