

# PRODUCT PREVIEW

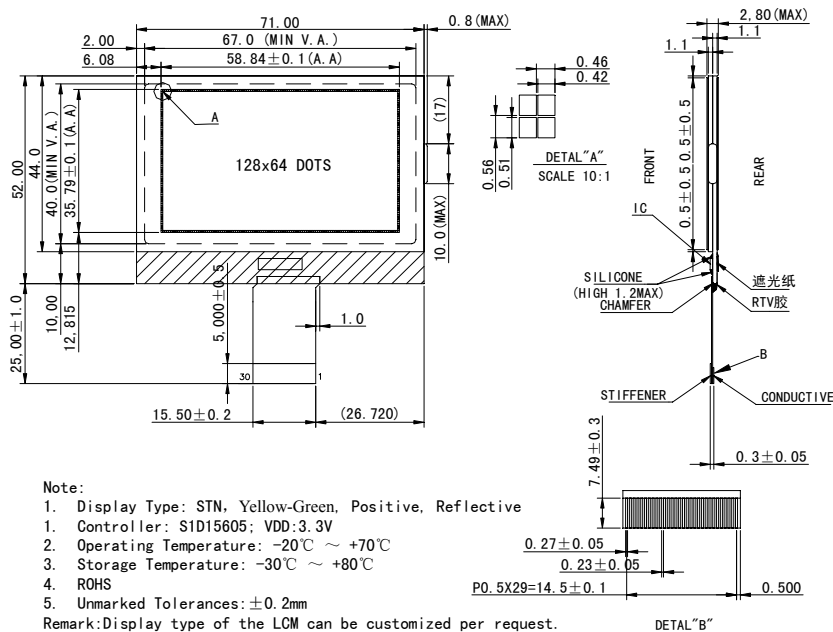
## 128x 64 Monochrome

### SPECIFICATIONS

#### MODULE

Part Number	G-1286468G-VA
Format	128 Columns by 64 Rows
Controller	N/A
Overall Dimensions	71.0mm x 52.0mm x 2.8mm
Active Area	58.84mm x 35.79mm
Pixel Pitch	460um x 560um
Pixel Size	420um x 510um
Backlight System	None
Driver Attach	N/A
Display Type	R,TF,TM
Duty	N/A
Bias	N/A

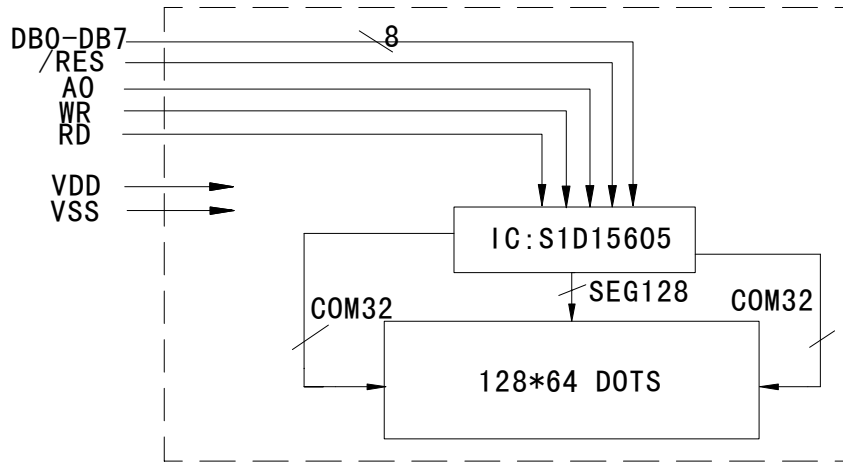
#### 1.0 DIMENSIONAL DRAWING



# PRODUCT PREVIEW

## 128 x 64 Monochrome

### 2.0 BLOCK DIAGRAM



### 5.0 PIN ASSIGNMENT

PIN No.	Symbol	PIN No.	Symbol
1	VDD	16	VOUT
2	/RES	17	C3-
3	A0	18	C1+
4	WR	19	C1-
5	RD	20	C2-
6	DB0	21	C2+
7	DB1	22	V1
8	DB2	23	V2
9	DB3	24	V3
10	DB4	25	V4
11	DB5	26	V5
12	DB6	27	VR
13	DB7	28	VDD
14	VDD	29	IRS
15	VSS	30	VDD

