

PRODUCT PREVIEW

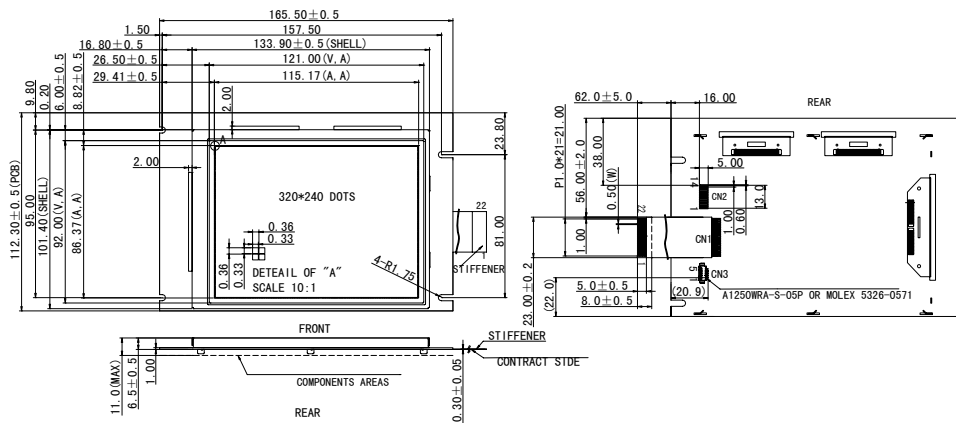
320 x 240 Monochrome

SPECIFICATIONS

MODULE

Part Number	G-32024012T-VA
Format	320 Columns by 240 Rows
Controller	N/A
Overall Dimensions	165.5mm x 112.3mm x 11.0mm
Active Area	115.17mm x 86.37mm
Pixel Pitch	360um x 360um
Pixel Size	330um x 330um
Backlight System	LED
Driver Attach	N/A
Display Type	R,TF,TM
Duty	N/A
Bias	N/A

1.0 DIMENSIONAL DRAWING



Note:

1. Display Type: STN, Negative, Transmissive
2. Backlight: Led, White
3. Controller: S1D13700; VDD: 5.0V
4. Operating Temperature: -20°C ~ +70°C
5. Storage Temperature: -30°C ~ +80°C
6. ROHS
7. Unmarked tolerance: ±0.2
8. Remark: Both display type and backlight colour of the LCM can be customized per request.

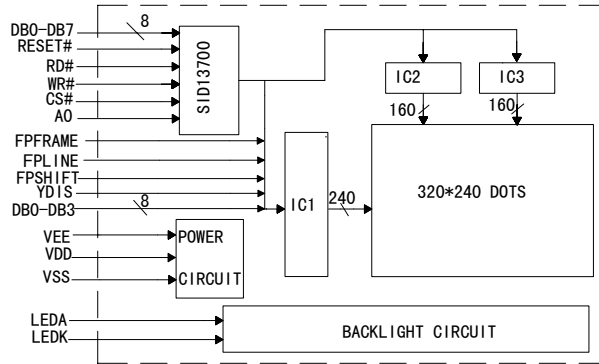
Phoenix Display International reserves the right to change document without prior notice and disclaims all warranties. It is the recipients duty to confirm with PDI before proceeding with a design. This document is PDI confidential and should not be reproduced without PDI approval.



PRODUCT PREVIEW

320 x 240 Monochrome

2.0 BLOCK DIAGRAM



5.0 PIN ASSIGNMENT

PIN No.	Symbol	1	FPFRAME
1	VSS	2	NC
2	VDD	3	FPLINE
3	VADJ	4	FPSHIFT
4	RD#	5	YDIS
5	WR#	6-9	DB0-DB3
6	CS#	10	VDD
7	A0	11	VSS
8	RESET#	12	VEE
9-16	DB0-DB7	13	V0
17	VDD	14	F.G
18	VSS	CN3	Symbol
19	NC	1	NC
20	NC	2	NC
21	VE	3	NC
22	NC	4	LEDA
CN2	Symbol	5	LEDK
PIN No			

