

Phoenix Display International, Inc.

PRODUCT PREVIEW

320x 240 Monochrome

TN/STN

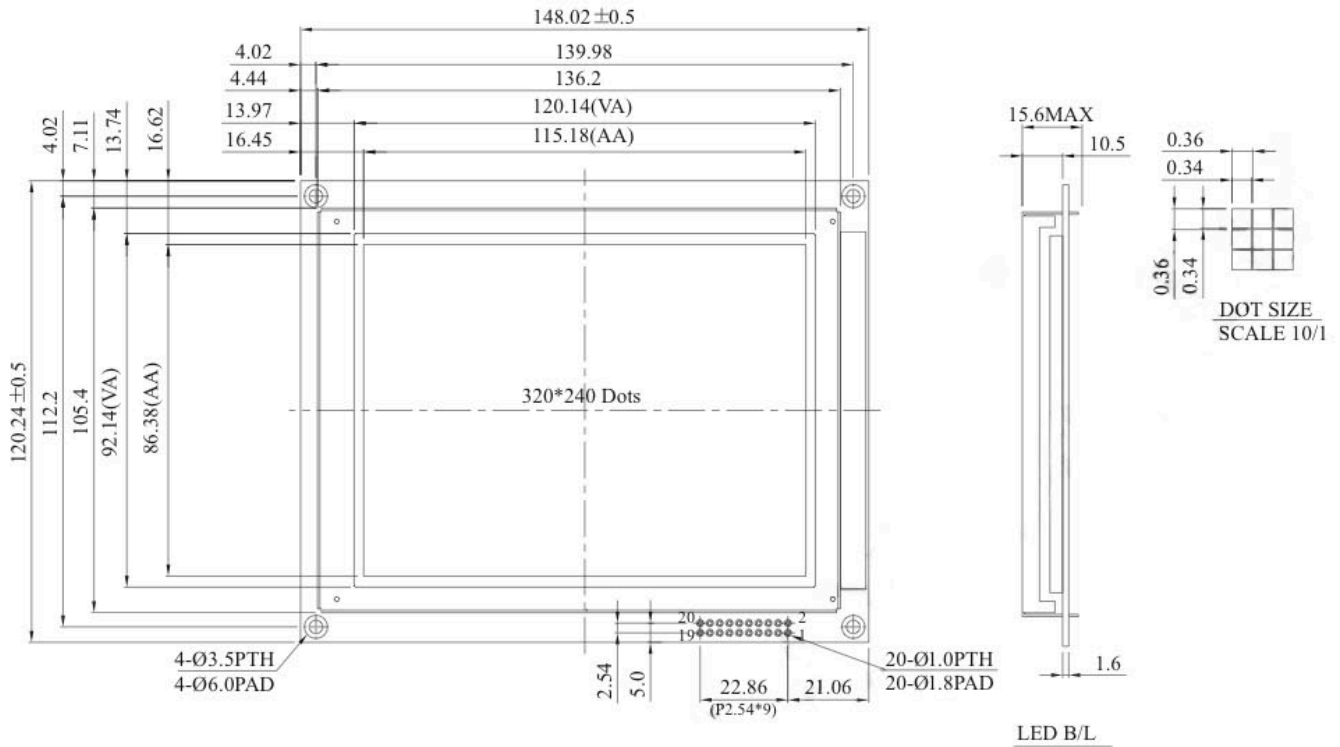
Graphics
Liquid Crystal Display

SPECIFICATIONS

MODULE

Part Number	PDI320240C0-TFH-VZ#
Display Format	320 x 240 Graphic Display
Module Size	148.02 x 120.24 x 10.5
Diagonal	5.7
Active Area	115.18 x 86.38
Pixel Pitch	0.360 x 0.360
Backlight	LED
Display Type	R,TF,Tm
Glass Type	STN,RSTN

1.0 DIMENSIONAL DRAWING



Phoenix Display International reserves the right to change this document without prior notice and disclaims all warranties. It is the recipient's duty to confirm with PDI before proceeding with a design. This document is PDI confidential and should not be reproduced without PDI approval.



Phoenix Display International, Inc.
www.phoenixdisplay.com sales@phoenixdisplay.com
 Tel: (630) 359-5700 or (480) 775-6315

3.0 ELECTRICAL CHARACTERISTICS

Item	Symbol	Standard Value			Unit
		min.	typ.	max.	
Power Supply	VDD-VSS	4.75	5	5.25	V
Input Voltage	VI	-0.3	---	VDD	V

4.0 ABSOLUTE MAXIMUM RATINGS

Item	Symbol	Condition (degrees C)	Standard Value			Unit
			min.	typ.	max.	
Input Voltage	VDD	L level	0.7VDD	---	VDD	V
Input Voltage	VIO	H Level	0	---	0.3VDD	V
Supply Current	IDD	VDD=5V	---	100	105	mA
<small>Recommended LC Driving Voltage for Normal Temp. Version Module</small>	VDD-V0	-20	---	---	26.1	V
<small>Recommended LC Driving Voltage for Normal Temp. Version Module</small>	VDD-V0	25	---	23.8	---	V
<small>Recommended LC Driving Voltage for Normal Temp. Version Module</small>	VDD-V0	70	20.9	---	---	V
CCFL Starting Voltage	VFLS	25	---	600	---	Vrms
CCFL Driving Voltage	VFLD	25	---	268	---	Vrms
CCFL Driving Current	IFLD	VFQ=450Vms 30KHZ	---	5.0	---	mA rms
LED Forward Voltage	VF	25	---	4.2	4.6	V
LED Forward Current	IF	25	---	180	360	mA
EL	IEF	Vel=110AC;400Hz	---	---	5.0	mA

5.0 PIN ASSIGNMENT

Pin No.	Symbol	Pin No.	Symbol
1	VSS	11	DB4
2	VDD	12	DB5
3	V0	13	DB6
4	RD	14	DB7
5	WR	15	CS
6	A0	16	RES
7	DB0	17	VEE
8	DB1	18	FGND
9	DB2	19	NDISOFF
10	DB3	20	WAIT

