

PRODUCT PREVIEW

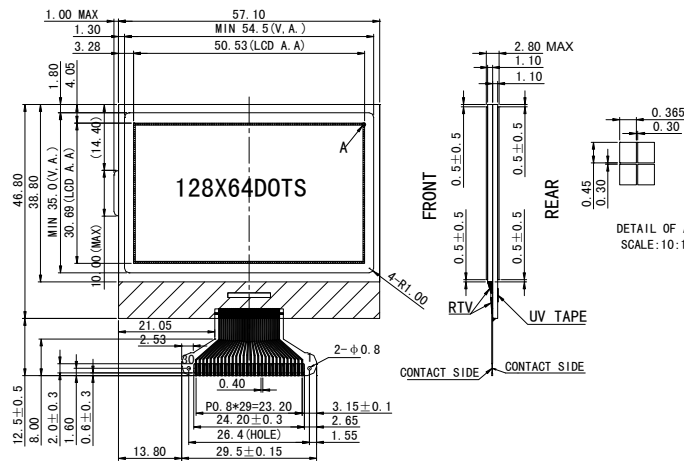
128x 64 Monochrome

SPECIFICATIONS

MODULE

Part Number	G-12864P6G-VA
Format	128 Columns by 64 Rows
Controller	N/A
Overall Dimensions	57.1mm x 46.8mm x 2.8mm
Active Area	50.5mm x 30.7mm
Pixel Pitch	395m x 430um
Pixel Size	365um x 450um
Backlight System	None
Driver Attach	N/A
Display Type	R,TF,TM
Duty	N/A
Bias	N/A

1.0 DIMENSIONAL DRAWING



- Note:
1. Display Type: FSTN, Positive, Transflective
 2. Controller: ST7565P; VDD: 3.3V
 3. Operating Temperature: -20°C ~ +70°C
 4. Storage Temperature: -30°C ~ +80°C
 5. ROHS
 6. Unmarked tolerance: ±0.2mm
- Remark: Display type of the LCM can be customized per request

Phoenix Display International reserves the right to change document without prior notice and disclaims all warranties. It is the recipients duty to confirm with PDI before proceeding with a design. This document is PDI confidential and should not be reproduced without PDI approval.

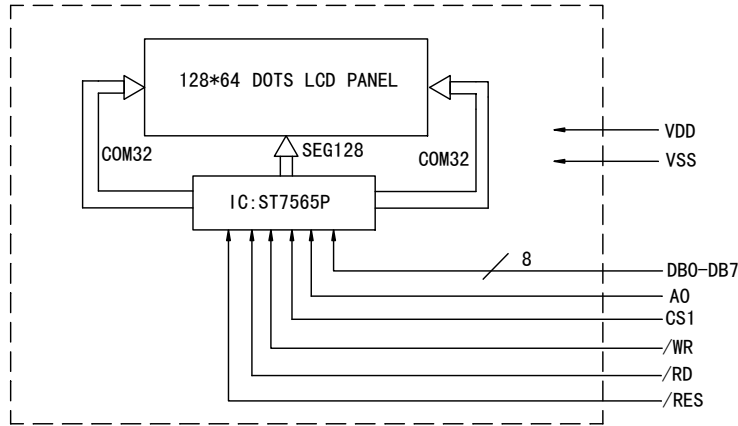


Phoenix Display International, Inc.
www.phoenixdisplay.com sales@phoenixdisplay.com
 Tel: (630) 359-5700 or (480) 775-6315

PRODUCT PREVIEW

128 x 64 Monochrome

2.0 BLOCK DIAGRAM



5.0 PIN ASSIGNMENT

PIN No.	Symbol
1	CS1
2	/RES
3	A0
4	/WR (RW)
5	/RD (E)
6-13	DB0-DB7
14	VDD
15	VSS
16	VOUT
17	CAP3P
18	CAP1N
19	CAP1P
20	CAP2P
21	CAP2N
22	VRS
23-27	V4-V0

PIN No.	Symbol
28	C86
29	P/S
30	HPM

