

Phoenix Display International, Inc.

PRODUCT PREVIEW

128 x 64 Monochrome

TN/STN

Graphics

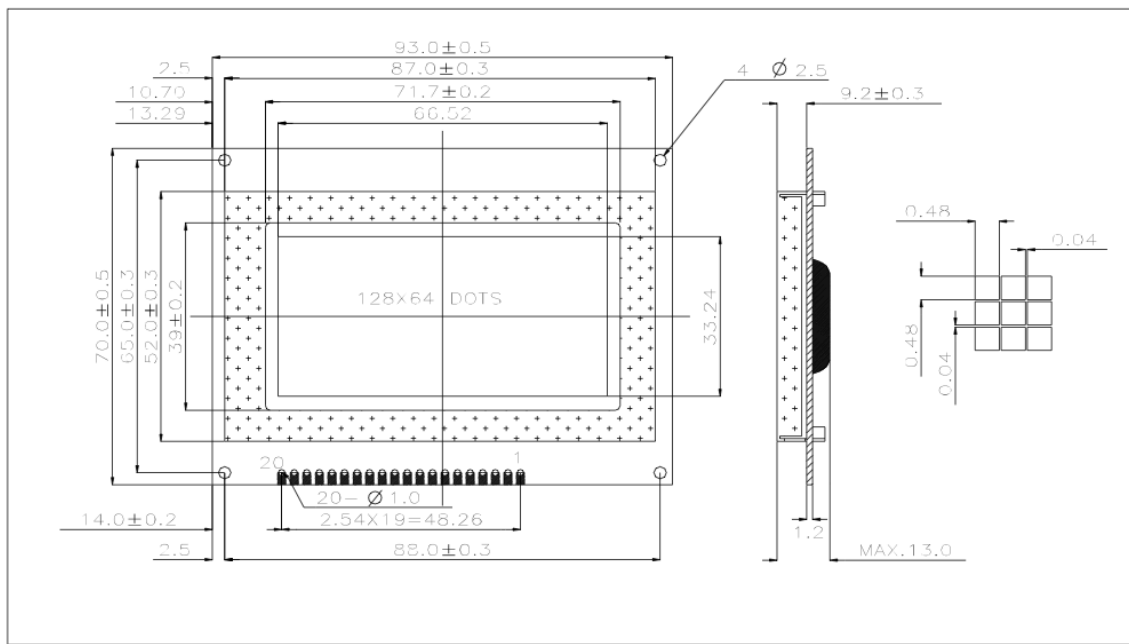
Liquid Crystal Display

SPECIFICATIONS

MODULE

Part Number	G-1286420C-VA
Format	128 Columns by 64 Rows
Controller	KS0108
Overall Dimensions	93.0mm x 70.0mm x 9.5/13.0mm
Active Area	66.5mm x 33.2mm
Pixel Pitch	520um x 520um
Pixel Size	480um x 480um
Backlight System	None, EL or LED
Driver Attach	Chip on Board (COB)
Glass Type	STN, FSTN
Display Type	R,TF,TM
Duty	1/64

1.0 DIMENSIONAL DRAWING



Phoenix Display International reserves the right to change this document without prior notice and disclaims all warranties. It is the recipient's duty to confirm with PDI before proceeding with a design. This document is PDI confidential and should not be reproduced without PDI approval.

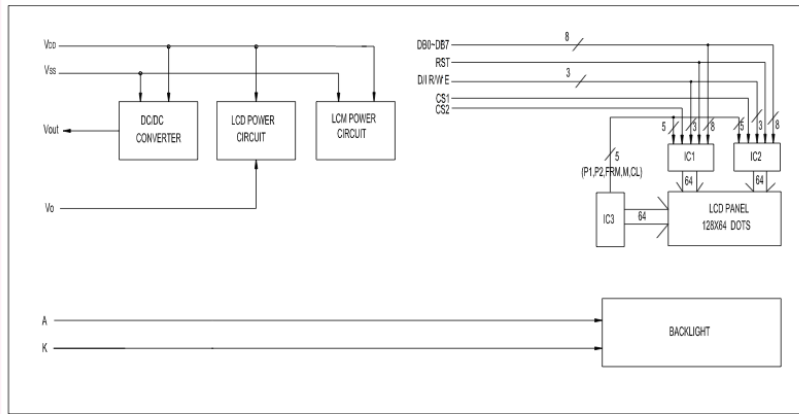


Phoenix Display International, Inc.
www.phoenixdisplay.com sales@phoenixdisplay.com
 Tel: (630) 359-5700 or (480) 775-6315

PRODUCT PREVIEW

128 x 64 Monochrome

2.0 BLOCK DIAGRAM



3.0 ELECTRICAL CHARACTERISTICS Ta=25 °C VDD=5.0V±0.25V

Item	Symbol	Test Condition	Standard Value			Unit
			Min.	Typ.	Max.	
Power Supply Voltage	V _{DD} -V _{SS}	25°C	4.5	5.0	5.5	V
LCD Operation Voltage	V _{OP}		-	12.5	-	V
LCM Current Consumption	I _{DD}		-	9.0	15.0	mA
Backlight Forward Voltage	V _F		-	4.5	-	V

4.0 ABSOLUTE MAXIMUM RATINGS

Item	Symbol	Test Condition	Standard Value			Unit
			Min.	Max.	Unit	
Supply Voltage (Logic)	V _{DD} -V _{SS}	25°C	-0.3	7.0	V	
Supply Voltage (LCD)	V _{DD} -V _O		-0.3	17.5	V	
Input Voltage	V _{IN}		-0.3	V _{DD} +0.3	V	
Operating Temp.	T _{OPR}	-	-20	70	°C	
Storage Temp.	T _{STG}	-	-30	80	°C	

5.0 PIN ASSIGNMENT

PIN No.	Symbol	Description
1	GND	Power supply(GND)
2	V _{DD}	Power supply
3	V _O	Contrast adjust
4	D/I	Register selection H: Display data, L: Instruction
5	R/W	Read/Write selection H: Read L: Write
6	E	Enable signal
7~14	DB0~DB7	Data bus
15	CS1	Chip select signal for IC1
16	CS2	Chip select signal for IC2
17	RST	Reset signal
18	Vout	Negative voltage output
19	LEDK	LED Back-light
20	LEDA	LED Back-light

Remark

1. LCD option: STN, FSTN .
2. Standard module.
3. Backlight option: LED backlight feature, other specs not available on catalog is under request.

