

# PRODUCT PREVIEW

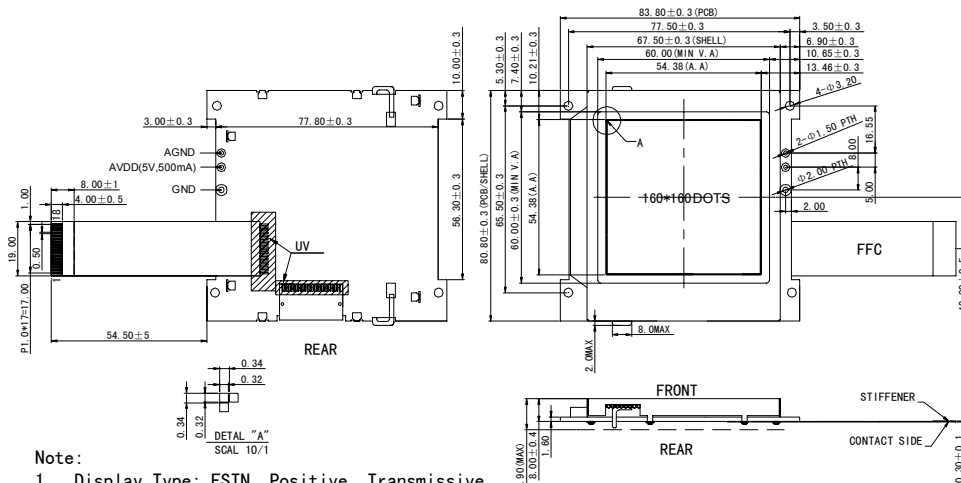
## 160x 160 Monochrome

### SPECIFICATIONS

#### MODULE

Part Number	G-16016017G-VA
Format	160 Columns by 160 Rows
Controller	N/A
Overall Dimensions	83.8mm x 80.8mm x 10.9mm
Active Area	54.38mm x 54.38mm
Pixel Pitch	340um x 327um
Pixel Size	320um x 320um
Backlight System	LED
Driver Attach	N/A
Display Type	R,TF,TM
Duty	N/A
Bias	N/A

#### 1.0 DIMENSIONAL DRAWING



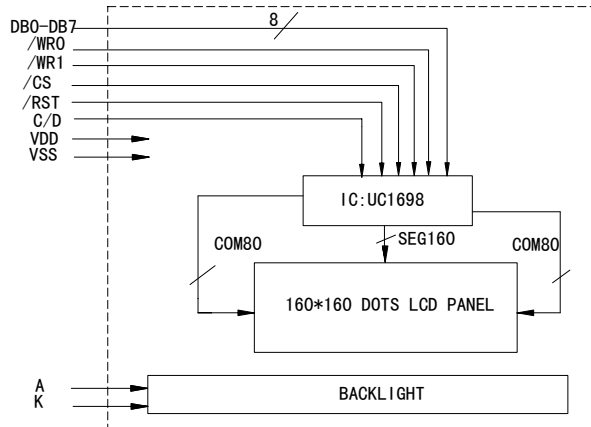
- Note:
1. Display Type: FSTN, Positive, Transmissive
  2. Backlight: LED, white
  3. Controller: UC1698; VDD:3.3V
  4. Operating Temperature: -20°C ~ +70°C
  5. Storage Temperature: -30°C ~ +80°C
  6. ROHS
  7. Unmarked Toerances: ±0.2mm
- Remark:Both display type and backlight color of the LCM can be customized per request.



# PRODUCT PREVIEW

## 160 x 160 Monochrome

### 2.0 BLOCK DIAGRAM



### 5.0 PIN ASSIGNMENT

PIN No.	Symbol
1	VSS
2	C/D
3	/WR0
4	/WR1
5	/CS
6	/RST
7	VDD
8-15	DB0-DB7
16	K
17	NC
18	A

