

PRODUCT PREVIEW

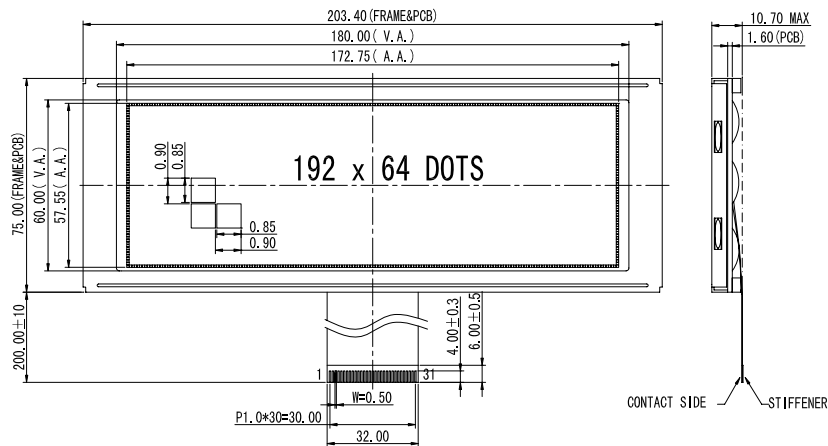
192 x 64 Monochrome

SPECIFICATIONS

MODULE

Part Number	G-1926418C-VA
Format	192 Columns by 64 Rows
Controller	N/A
Overall Dimensions	203.4mm x 75.0mm x 10.7mm
Active Area	172.75mm x 57.55mm
Pixel Pitch	900um x 900um
Pixel Size	850um x 850um
Backlight System	LED
Driver Attach	N/A
Display Type	R,TF,TM
Duty	N/A
Bias	N/A

1.0 DIMENSIONAL DRAWING



Note:

1. Display Type: FSTN, Positive, Transflective
2. Backlight: LED, multi-color
3. Controller: T6963C; VDD:3.3V
4. Operating Temperature: -20°C ~ +70°C
5. Storage Temperature: -30°C ~ +80°C
6. ROHS
7. Unmarked tolerances: ±0.2mm

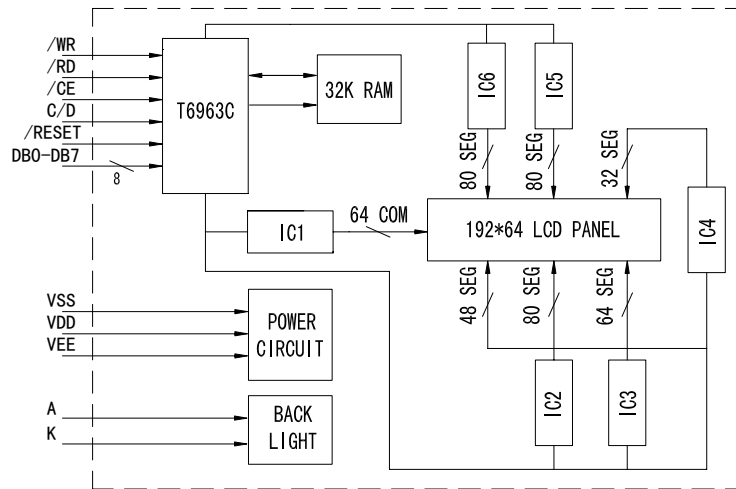
Remark: Both display type and backlight color of the LCM can be customized per request.



PRODUCT PREVIEW

192 x 64 Monochrome

2.0 BLOCK DIAGRAM



5.0 PIN ASSIGNMENT

PIN No.	Symbol	PIN No.	Symbol
1	FGND	21	K-G-LW
2	VSS	22	K-B-L1
3	VDD	23	K-R-L2
4	VEE	24	K-G-L2
5	/WR	25	K-B-L2
6	/RD	26	K-R-R1
7	/CE	27	K-G-R1
8	C/D	28	K-B-R1
9	/RESET	29	K-K-R2
10-17	DB0-DB7	30	K-G-R2
18	FS1	31	K-B-R2
19	A		
20	K-R-L1		

Phoenix Display International reserves the right to change document without prior notice and disclaims all warranties. It is the recipient's duty to confirm with PDI before proceeding with a design. This document is PDI confidential and should not be reproduced without PDI approval.

