

PRODUCT PREVIEW

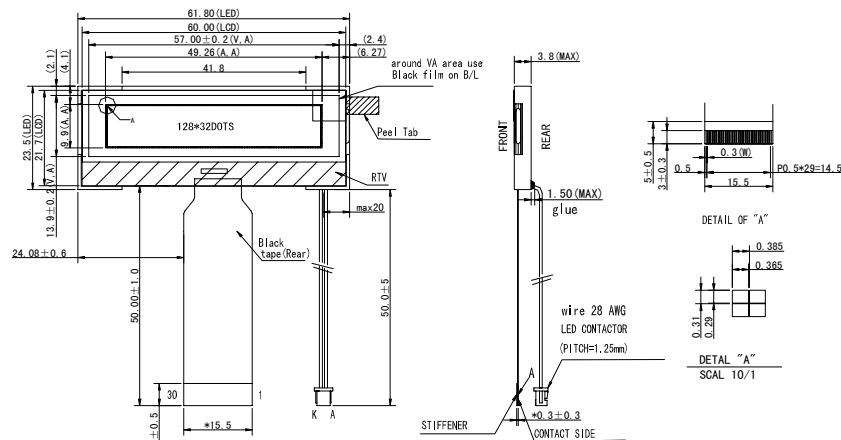
128x 32 Monochrome

SPECIFICATIONS

MODULE

Part Number	G-1283235G-VA
Format	128 Columns by 32 Rows
Controller	N/A
Overall Dimensions	61.8mm x 23.5mm x 3.8mm
Active Area	49.26mm x 9.9mm
Pixel Pitch	385um x 310um
Pixel Size	365um x 290um
Backlight System	LED
Driver Attach	N/A
Display Type	R,TF,TM
Duty	N/A
Bias	N/A

1.0 DIMENSIONAL DRAWING



Note:

1. Display Type: FSTN, Positive, Transflective
2. Backlight: LED, Yellow
3. Controller: ST7565R; VDD:3.0V
4. Operating Temperature: -20°C ~ +70°C
5. Storage Temperature: -30°C ~ +80°C
6. ROHS
7. Unmarked Tolerances: ±0.2mm

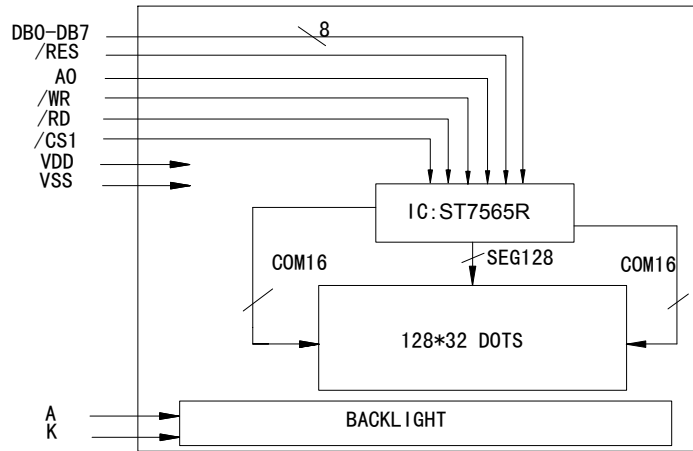
Remark: Both display type and backlight color of the LCM can be customized per request.



PRODUCT PREVIEW

128 x 32 Monochrome

2.0 BLOCK DIAGRAM



5.0 PIN ASSIGNMENT

PIN No.	Symbol	PIN No.	Symbol
1	/CS1	16	VOUT
2	/RES	17	C3+
3	A0	18	C1-
4	/WR	19	C1+
5	/RD	20	C2+
6	DB0	21	C2-
7	DB1	22	V4
8	DB2	23	V3
9	DB3	24	V2
10	DB4	25	V1
11	DB5	26	V0
12	DB6	27	VR
13	DB7	28	C86
14	VDD	29	PS
15	VSS	30	IRS

