

# PRODUCT PREVIEW

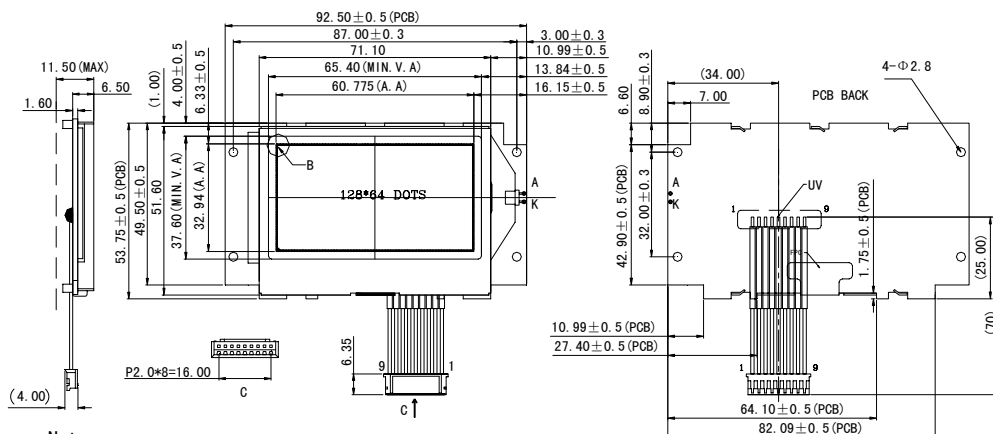
## 128x 64 Monochrome

### SPECIFICATIONS

#### MODULE

Part Number	G-12864G6G-VA
Format	128 Columns by 64 Rows
Controller	N/A
Overall Dimensions	92.5mm x 53.75mm x 11.5mm
Active Area	60.8mm x 32.9mm
Pixel Pitch	475um x 515um
Pixel Size	450um x 490um
Backlight System	LED
Driver Attach	N/A
Display Type	R,TF,TM
Duty	N/A
Bias	N/A

#### 1.0 DIMENSIONAL DRAWING



**Note:**

1. Display Type: STN, Yellow-Green, Positive, Transflective, ANTI-UV
2. Backlight: LED, Green
3. Controller: ST7565P; VDD:3.0V
4. Operating Temperature: -20°C ~ +70°C
5. Storage Temperature: -30°C ~ +80°C
6. ROHS
7. Unmarked Toerances: ±0.2mm

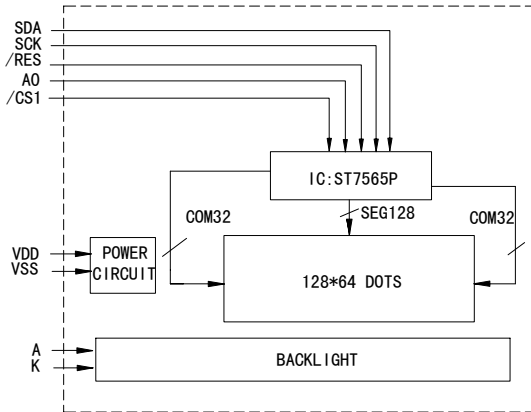
Remark:Both display type and backlight color of the LCM can be customized per request.



# PRODUCT PREVIEW

## 128 x 64 Monochrome

### 2.0 BLOCK DIAGRAM



### 5.0 PIN ASSIGNMENT

PIN No.	Symbol
1	/CS1
2	/RES
3	A0
4	SCK
5	SDA
6	VDD
7	VSS
8	K
9	A

