

PRODUCT PREVIEW

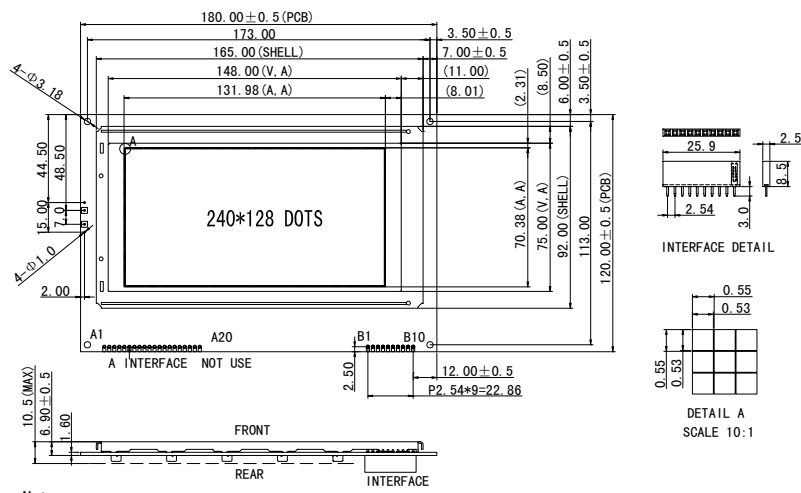
240 x 128 Monochrome

SPECIFICATIONS

MODULE

Part Number	G-24012816C-VA
Format	240 Columns by 128 Rows
Controller	N/A
Overall Dimensions	180.0mm x 120.0mm x 10.5mm
Active Area	131.98mm x 70.38mm
Pixel Pitch	550um x 550um
Pixel Size	530um x 530um
Backlight System	None
Driver Attach	N/A
Display Type	R,TF,TM
Duty	N/A
Bias	N/A

1.0 DIMENSIONAL DRAWING



- Note:
1. Display Type: STN, Yellow-Green, Positive, Reflective
 2. Driver: SDN0080G; VDD: 5.0V
 3. Operating Temperature: -20°C ~ +70°C
 4. Storage Temperature: -30°C ~ +80°C
 5. ROHS
 6. Unmarked tolerance: ±0.2
 7. Remark: Both display type of the LCM can be customized per request
 8. Controller IC is optional.

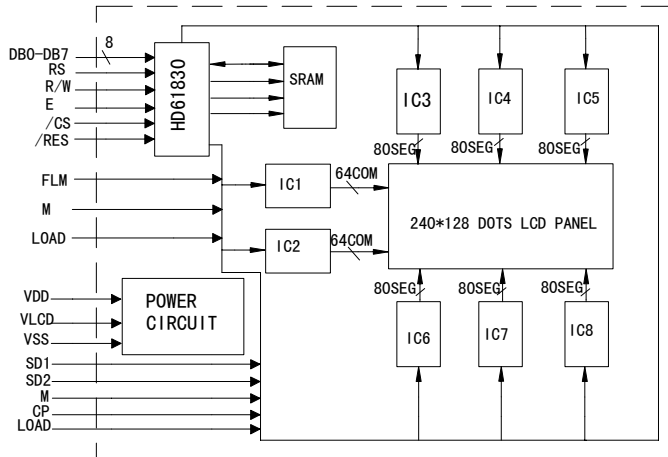
Phoenix Display International reserves the right to change document without prior notice and disclaims all warranties. It is the recipient's duty to confirm with PDI before proceeding with a design. This document is PDI confidential and should not be reproduced without PDI approval.



PRODUCT PREVIEW

240 x 128 Monochrome

2.0 BLOCK DIAGRAM



5.0 PIN ASSIGNMENT

PIN No.	Symbol
A1	VSS
A2	VDD
A3	VADJ
A4	RS
A5	R/W
A6	E
A7	DB0
A8	DB1
A9	DB2
A10	DB3
A11	DB4

PIN No.	Symbol
A12	DB5
A13	DB6
A14	DB7
A15	/CS
A16	/RES
A17	VLCD
A18	NC
A19	NC
A20	NC
B1	SD1
B2	FLM

PIN No.	Symbol
B3	M
B4	LOAD
B5	CP
B6	SD2
B7	VDD
B8	VSS
B9	VLCD
B10	VADJ

