

PRODUCT PREVIEW

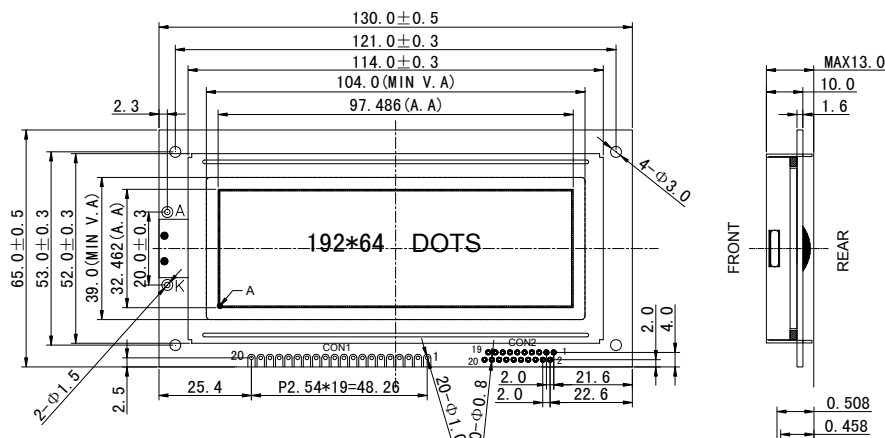
192 x 64 Monochrome

SPECIFICATIONS

MODULE

Part Number	G-1926420C-VA
Format	192 Columns by 64 Rows
Controller	N/A
Overall Dimensions	130.0mm x 65.0mm x 13.0mm
Active Area	97.48mm x 32.46mm
Pixel Pitch	508um x 508um
Pixel Size	458um x 458um
Backlight System	LED
Driver Attach	N/A
Display Type	R,TF,TM
Duty	N/A
Bias	N/A

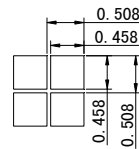
1.0 DIMENSIONAL DRAWING



Note:

1. Display Type: STN, Yellow-Green, Positive, Transflective
2. Backlight: LED, Yellow-Green
3. Controller: S6B0108; VDD:5.0V
4. Operating Temperature: -20°C ~ +70°C
5. Storage Temperature: -30°C ~ +80°C
6. ROHS
7. Unmarked tolerances: ±0.2mm

Remark: Both display type and backlight color of the LCM can be customized per request.



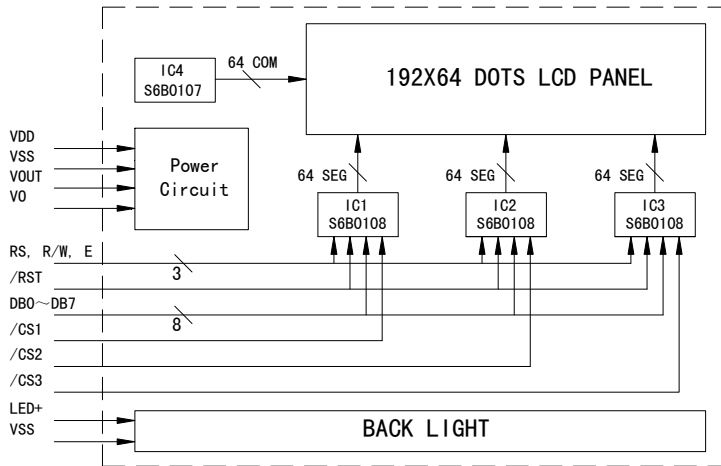
Detail of A
Scale 20:1



PRODUCT PREVIEW

192 x 64 Monochrome

2.0 BLOCK DIAGRAM



5.0 PIN ASSIGNMENT

PIN No.	Symbol
1	VSS
2	VDD
3	V0
4	RS
5	R/W
6	E
7-14	DB0-DB7
15	/CS1
16	/RST
17	/CS2
18	/CS3
19	VOUT
20	LED+

