

***Phoenix Display International, Inc.***

# PRODUCT PREVIEW

## 256 x 34 Monochrome

# TN/STN

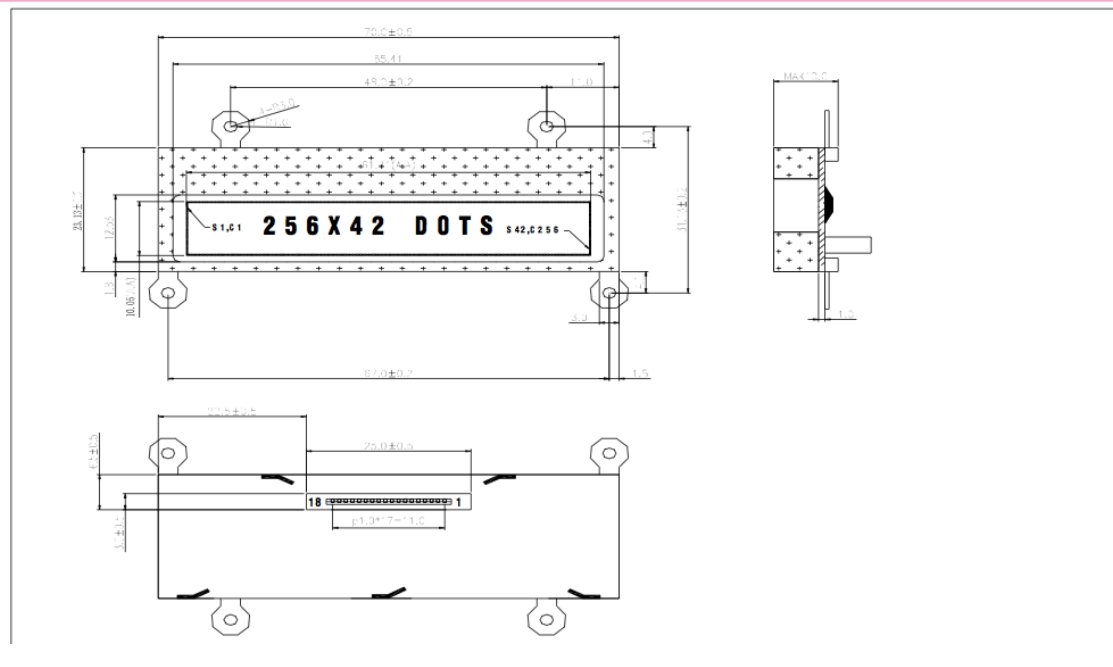
Graphics  
Liquid Crystal Display

### SPECIFICATIONS

#### MODULE

Part Number	G-2563401G-VA
Format	256 Columns by 34 Rows
Controller	KS0713A11-B0CZ
Overall Dimensions	68.2mm x 21.5mm x 2.8mm
Active Area	61.4mm x 8.1mm
Pixel Pitch	240um x 240um
Pixel Size	210um x 210um
Backlight System	LED
Driver Attach	Chip on Glass (COG)
Glass Type	STN, FSTN
Display Type	R,TF,TM
Duty	1/49

#### 1.0 DIMENSIONAL DRAWING



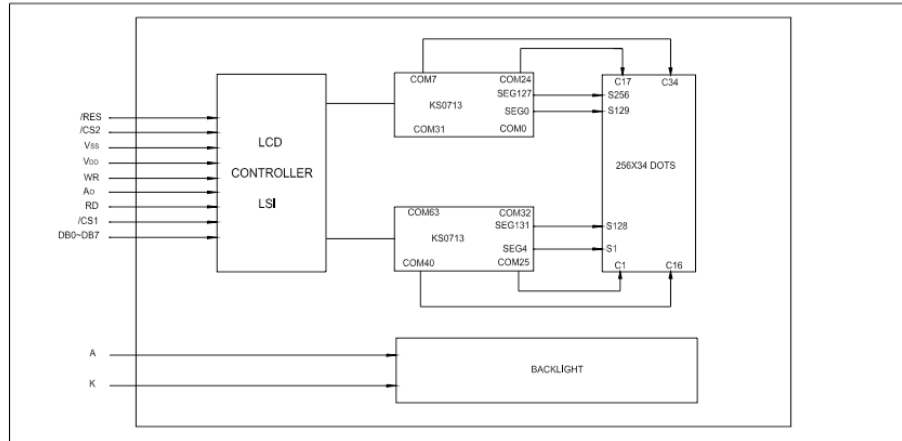
Phoenix Display International reserves the right to change this document without prior notice and disclaims all warranties. It is the recipient's duty to confirm with PDI before proceeding with a design. This document is PDI confidential and should not be reproduced without PDI approval.



# PRODUCT PREVIEW

## 256 x 34 Monochrome

### 2.0 BLOCK DIAGRAM



### 3.0 ELECTRICAL CHARACTERISTICS Ta=25 °C VDD=5.0V±0.25V

Item	Symbol	Test Condition	Standard Value			
			Min.	Typ.	Max.	Unit
Power Supply Voltage	V <sub>DD</sub> -V <sub>SS</sub>	25°C	-	3.3	-	V
LCD Operation Voltage	V <sub>OP</sub>		-	8.0	-	V
LCM Current Consumption	I <sub>DD</sub>		-	-	-	mA
Backlight Forward Voltage	V <sub>F</sub>		-	3.3	-	V

### 4.0 ABSOLUTE MAXIMUM RATINGS

Item	Symbol	Test Condition	Standard Value		
			Min.	Max.	Unit
Supply Voltage (Logic)	V <sub>DD</sub> -V <sub>SS</sub>	25°C	-0.3	7	V
Supply Voltage (LCD)	V <sub>DD</sub> -V <sub>O</sub>		-0.3	17	V
Input Voltage	V <sub>IN</sub>		-0.3	V <sub>DD</sub> +0.3	V
Operating Temp.	T <sub>OPR</sub>	-	0	50	°C
Storage Temp.	T <sub>STG</sub>	-	-10	60	°C

### 5.0 PIN ASSIGNMENT

PIN No.	Symbol	Description
1-8	D0-D7	Data bus
9	/CS1	Chip 1 select Active low
10	RD	Read mode
11	A0	H: Data signal L: Instruction signal
12	WR	Write mode
13	VDD	Recommend +3.3V
14	VSS	GND
15	/CS2	Chip 2 select Active low Chi
16	/RES	Reset signal
17	LED-	Ground
18	LED+	+3.3V

**Remark**

- LCD option: STN, FSTN .
- Customized module.
- Backlight option: LED backlight feature, other specs not available on catalog is under request.

