

PRODUCT PREVIEW

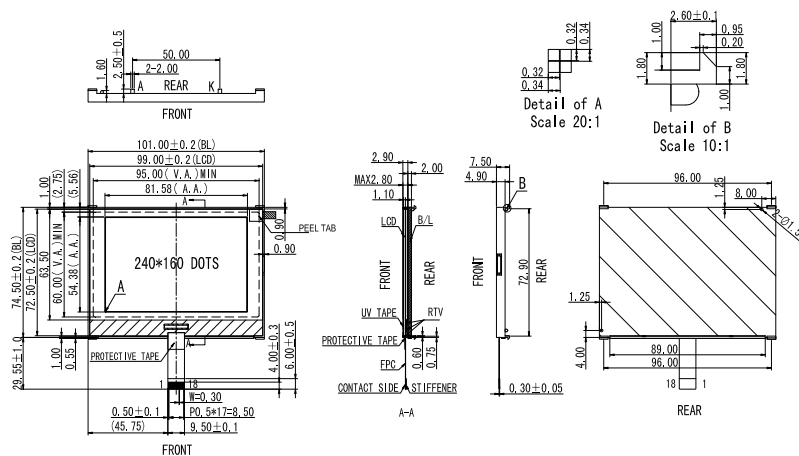
240 x 160 Monochrome

SPECIFICATIONS

MODULE

Part Number	G-24016020G-VA
Format	240 Columns by 160 Rows
Controller	N/A
Overall Dimensions	101.0mm x 74.5mm x 2.0mm
Active Area	81.58mm x 54.38mm
Pixel Pitch	340um x 340um
Pixel Size	320um x 320um
Backlight System	LED
Driver Attach	N/A
Display Type	R,TF,TM
Duty	N/A
Bias	N/A

1.0 DIMENSIONAL DRAWING



Note:

1. Display Type: FSTN, Positive, Transflective
2. Backlight: LED, White
3. Controller: UC1698U; VDD: 3.0V
4. Operating Temperature: -20°C ~ +70°C
5. Storage Temperature: -30°C ~ +80°C
6. ROHS
7. Unmarked tolerances: ± 0.2mm

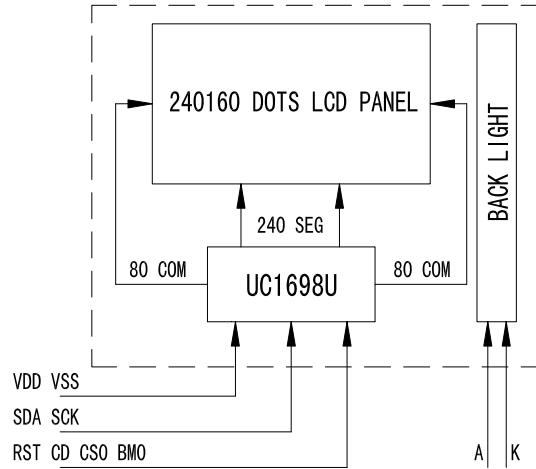
Remark: Both display type and backlight color of the LCM can be customized per request.



PRODUCT PREVIEW

240 x 160 Monochrome

2.0 BLOCK DIAGRAM



5.0 PIN ASSIGNMENT

PIN No.	Symbol
1	NC
2	SDA
3	SCK
4	RST
5	CD
6	CSO
7	BMO
8	NC (TST4)
9	VSS
10	VDD
11	VBO+
12	VB1+

13	VB1-
14	VB0-
15	VS-
16	VS+
17	VLCDIN
18	VLCDOUT

