

PRODUCT PREVIEW

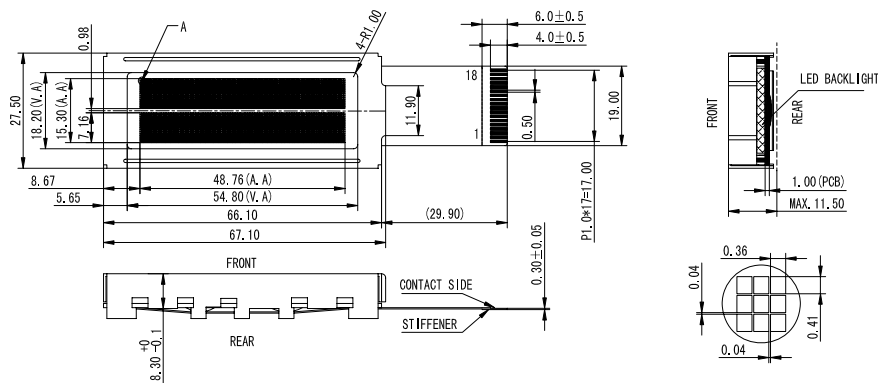
122x 32 Monochrome

SPECIFICATIONS

MODULE

Part Number	G-1223229C-VA
Format	122 Columns by 32 Rows
Controller	N/A
Overall Dimensions	67.1mm x 27.5mm x 11.5mm
Active Area	48.76mm x 15.3mm
Pixel Pitch	400um x 450um
Pixel Size	360um x 410um
Backlight System	LED
Driver Attach	N/A
Display Type	R,TF,TM
Duty	N/A
Bias	N/A

1.0 DIMENSIONAL DRAWING



Note:

1. Display Type: STN, Yellow-Green, Positive, Transflective
2. Backlight: LED, Yellow-Green
3. Controller: NJU6450; VDD: 5.0V
4. Operating Temperature: -20°C ~ +70°C
5. Storage Temperature: -30°C ~ +80°C
6. ROHS
7. Unmarked tolerance: ±0.2mm

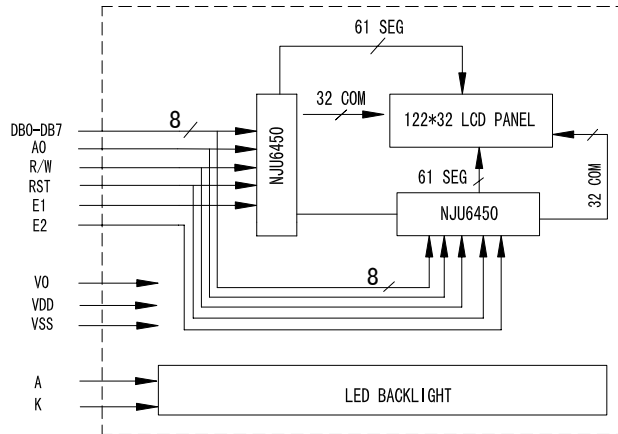
Remark: Both display type and backlight color of the LCM can be customized per request.



PRODUCT PREVIEW

122 x 32 Monochrome

2.0 BLOCK DIAGRAM



5.0 PIN ASSIGNMENT

PIN No.	Symbol
1	VDD
2	VSS
3	V0
4	RST
5	E1
6	E2
7	R/W
8	A0
9-16	DB0-DB7
17	A
18	K

