

Phoenix Display International, Inc.

PRODUCT PREVIEW

128 x 64 Monochrome

TN/STN

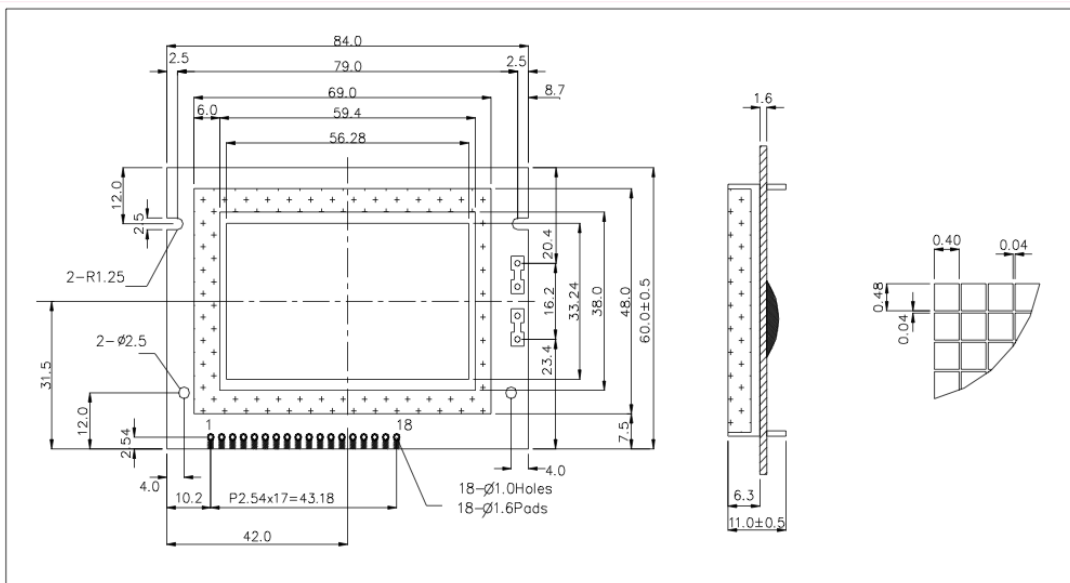
Graphics
Liquid Crystal Display

SPECIFICATIONS

MODULE

Part Number	G-1286421C-VA
Format	128 Columns by 64 Rows
Controller	KSO108
Overall Dimensions	84.0mm x 60.0mm x 11.5mm
Active Area	56.3mm x 33.2mm
Pixel Pitch	440um x 520um
Pixel Size	400um x 480um
Backlight System	LED
Driver Attach	Chip on Board (COB)
Glass Type	STN, FSTN
Display Type	R,TF,TM
Duty	1/64

1.0 DIMENSIONAL DRAWING



Phoenix Display International reserves the right to change this document without prior notice and disclaims all warranties. It is the recipient's duty to confirm with PDI before proceeding with a design. This document is PDI confidential and should not be reproduced without PDI approval.



Phoenix Display International, Inc.
www.phoenixdisplay.com sales@phoenixdisplay.com
 Tel: (630) 359-5700 or (480) 775-6315

Phoenix Display International, Inc.

PRODUCT PREVIEW

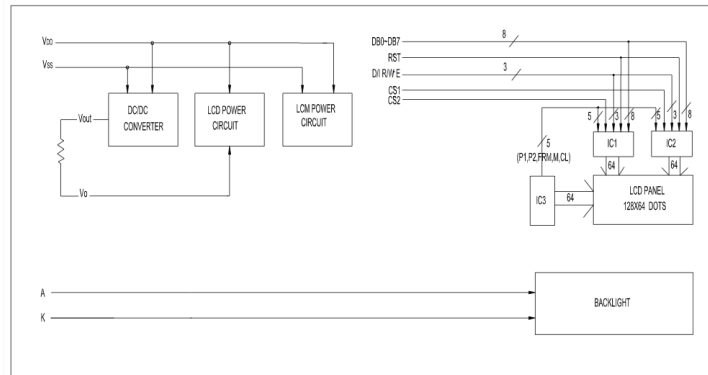
128 x 64 Monochrome

TN/STN

Graphics

Liquid Crystal Display

2.0 BLOCK DIAGRAM



3.0 ELECTRICAL CHARACTERISTICS $T_a=25^{\circ}\text{C}$ $V_{DD}=5.0\text{V}\pm 0.25\text{V}$

Item	Symbol	Test Condition	Standard Value			
			Min.	Typ.	Max.	Unit
Power Supply Voltage	$V_{DD}-V_{SS}$	25°C	4.5	5.0	5.5	V
LCD Operation Voltage	V_{OP}		-	9.5	-	V
LCM Current Consumption	I_{DD}		-	9.0	15.0	mA
Backlight Forward Voltage	V_F		-	4.0	-	V

4.0 ABSOLUTE MAXIMUM RATINGS

Item	Symbol	Test Condition	Standard Value		
			Min.	Max.	Unit
Supply Voltage (Logic)	$V_{DD}-V_{SS}$	25°C	-0.3	7.0	V
Supply Voltage (LCD)	$V_{DD}-V_O$		-0.3	17.5	V
Input Voltage	V_{IN}		-0.3	$V_{DD}+0.3$	V
Operating Temp.	T_{OPR}	-	0	50	°C
Storage Temp.	T_{STG}	-	-20	70	°C

5.0 PIN ASSIGNMENT

PIN No.	Symbol	Description
1~8	DB0~DB7	Data bus
9	E	Enable signal
10	R/W	Read/Write selection H: Read L: Write
11	D/I	Register selection H: Display data, L: Instruction
12	nc	No connection
13	V_{DD}	Power supply
14	GND	Power supply(GND)
15	LEDK	LED Back-light
16	LEDA	LED Back-light
17	CS1	Chip select signal for IC1
18	CS2	Chip select signal for IC2

Remark

1. LCD option: STN, FSTN .
2. Standard module.
3. Backlight option: LED backlight feature, other specs not available on catalog is under request.

