

PRODUCT PREVIEW

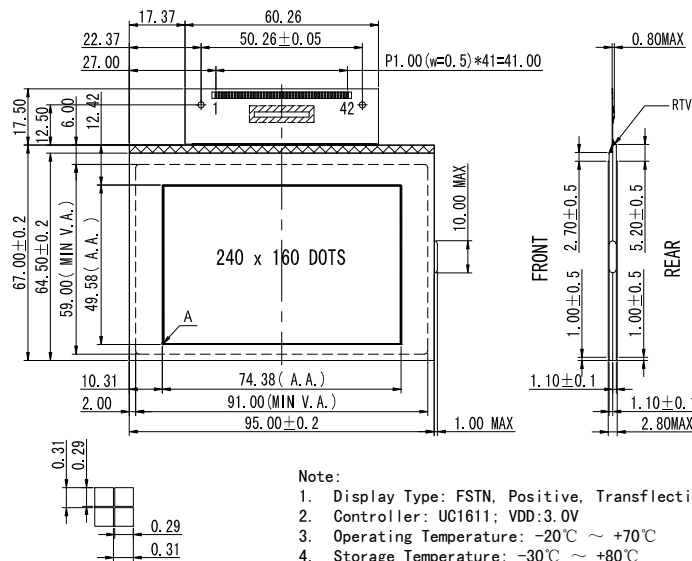
240 x 160 Monochrome

SPECIFICATIONS

MODULE

Part Number	G-24016015T-VA
Format	240 Columns by 160 Rows
Controller	N/A
Overall Dimensions	95.0mm x 67.0mm x 2.8mm
Active Area	74.38mm x 49.58mm
Pixel Pitch	310um x 310um
Pixel Size	290um x 290um
Backlight System	None
Driver Attach	N/A
Display Type	R,TF,TM
Duty	N/A
Bias	N/A

1.0 DIMENSIONAL DRAWING



Detail of A
Scale 10:1

Note:

1. Display Type: FSTN, Positive, Transflective
2. Controller: UC1611; VDD:3.0V
3. Operating Temperature: -20°C ~ +70°C
4. Storage Temperature: -30°C ~ +80°C
5. ROHS
6. Unmarked tolerance: ±0.2mm

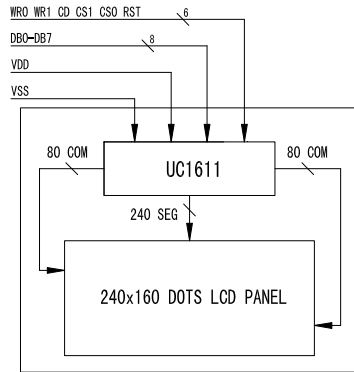
Remark: Display type of the LCM can be customized per request.



PRODUCT PREVIEW

240 x 160 Monochrome

2.0 BLOCK DIAGRAM



5.0 PIN ASSIGNMENT

PIN No.	Symbol
1	NC
2	VCM
3	VS2
4	VS1
5	VBO+
6	VB1+
7	VB1-
8	VB0-
9	VB2+
10	VB3+
11	VB2-
12	VB2-
13	VLCDOUT
14	VLCDIN
15	VBIAS
16	VDD

17	VDD2, 3
18	VSS2
19	VSS
20	TST4
21	BMO
22	BM1
23	WR1
24	WR0
25	CD
26	CS1
27	CS0
28	RST
29	INT_DONE
30	DISP_ON
31	SCLK
32	M/S
33	DB0

34	DB1
35	DB2
36	DB3
37	DB4
38	DB5
39	DB6
40	DB7
41	VSS
42	NC

