

PRODUCT PREVIEW

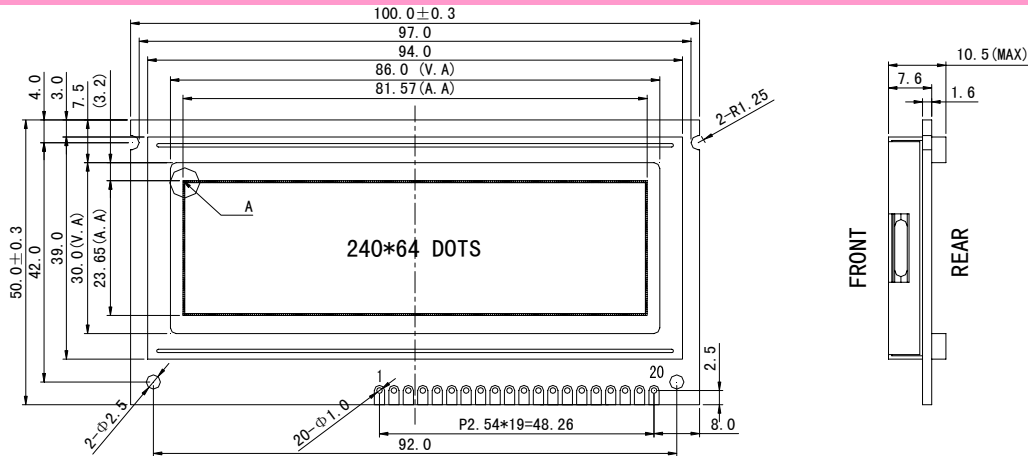
240 x 64 Monochrome

SPECIFICATIONS

MODULE

Part Number	G-2406407C-VA
Format	240 Columns by 64 Rows
Controller	N/A
Overall Dimensions	100.0mm x 50.0mm x 10.5mm
Active Area	81.57mm x 23.65mm
Pixel Pitch	340um x 370um
Pixel Size	530um x 530um
Backlight System	LED
Driver Attach	N/A
Display Type	R,TF,TM
Duty	N/A
Bias	N/A

1.0 DIMENSIONAL DRAWING



Note:

1. Display Type: FSTN, Positive, Transflective
2. Backlight: LED, blue
3. Controller: S6B0108; VDD: 5.0V
4. Operating Temperature: -20°C ~ +70°C
5. Storage Temperature: -30°C ~ +80°C
6. ROHS
7. Unmarked Tolerances: ±0.2mm

Remark: Both display type and backlight color of the LCM can be customized per request.

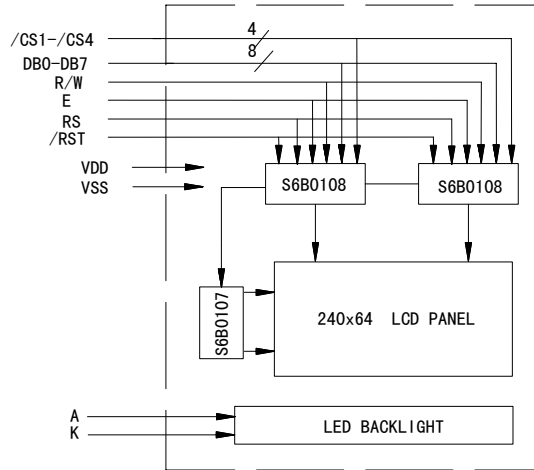
Phoenix Display International reserves the right to change document without prior notice and disclaims all warranties. It is the recipient's duty to confirm with PDI before proceeding with a design. This document is PDI confidential and should not be reproduced without PDI approval.



PRODUCT PREVIEW

320 x 240 Monochrome

2.0 BLOCK DIAGRAM



5.0 PIN ASSIGNMENT

PIN No.	Symbol
1	VSS
2	VDD
3	A
4	NC
5	/CS1
6	/CS2
7	/CS3
8	/CS4
9	R/W
10	E
11	RS
12	/RST
13-20	DB0-DB7

