

Phoenix Display International, Inc.

PRODUCT PREVIEW

192 x 96 Monochrome

TN/STN

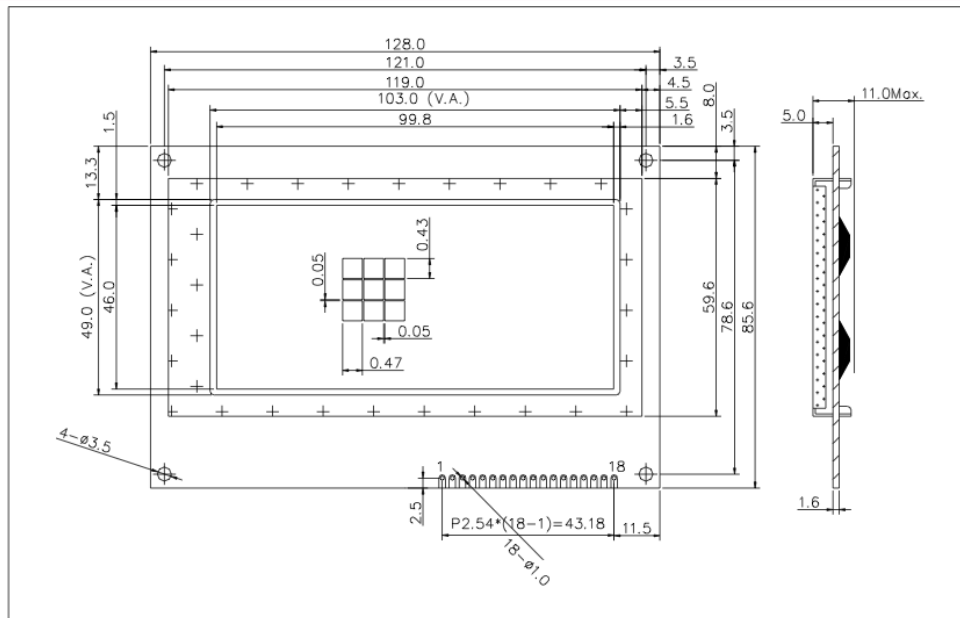
Graphics
Liquid Crystal Display

SPECIFICATIONS

MODULE

Part Number	G-1929601C-VA
Format	192 Columns by 96 Rows
Controller	KS0108
Overall Dimensions	128.0mm x 85.6mm 11.0mm
Active Area	99.8mm x 46.0mm
Pixel Pitch	520um x 480um
Pixel Size	470um x 430um
Backlight System	None
Driver Attach	Chip on Board (COB)
Glass Type	STN, FSTN
Display Type	R,TF,TM
Duty	1/64

1.0 DIMENSIONAL DRAWING



Phoenix Display International reserves the right to change this document without prior notice and disclaims all warranties. It is the recipient's duty to confirm with PDI before proceeding with a design. This document is PDI confidential and should not be reproduced without PDI approval.

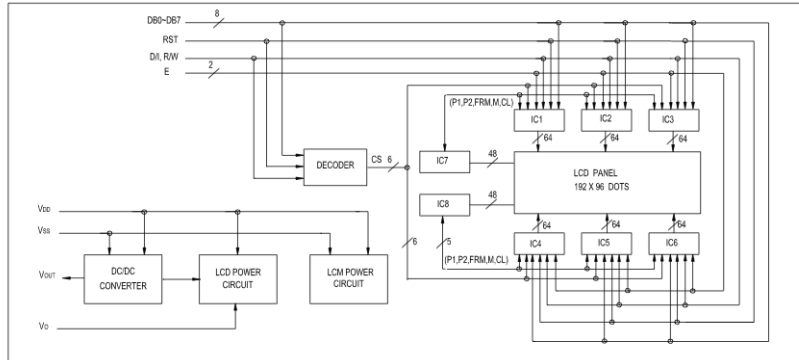


Phoenix Display International, Inc.
www.phoenixdisplay.com sales@phoenixdisplay.com
 Tel: (630) 359-5700 or (480) 775-6315

PRODUCT PREVIEW

192 x 96 Monochrome

2.0 BLOCK DIAGRAM



3.0 ELECTRICAL CHARACTERISTICS $T_a=25^\circ\text{C}$ $V_{DD}=5.0V\pm 0.25V$

Item	Symbol	Test Condition	Standard Value			
			Min.	Typ.	Max.	Unit
Power Supply Voltage	$V_{DD}-V_{SS}$	25°C	4.5	5.0	5.5	V
LCD Operation Voltage	V_{OP}		-	9.6	-	V
LCM Current Consumption	I_{DD}		-	10.0	18.0	mA
Backlight Forward Voltage	V_F		-	5.0	-	V

4.0 ABSOLUTE MAXIMUM RATINGS

Item	Symbol	Test Condition	Standard Value		
			Min.	Max.	Unit
Supply Voltage (Logic)	$V_{DD}-V_{SS}$	25°C	-0.3	7.0	V
Supply Voltage (LCD)	$V_{DD}-V_O$		-0.3	17.5	V
Input Voltage	V_{IN}		-0.3	$V_{DD}+0.3$	V
Operating Temp.	T_{OPR}	-	0	50	°C
Storage Temp.	T_{STG}	-	-20	70	°C

5.0 PIN ASSIGNMENT

PIN No.	Symbol	Description
1	Vout	Negative Voltage Output
2	RST	Reset Signal
3-10	DB0-DB7	Data bus line
11	E	Chip Enable signal
12	R/W	H: Data/status read L: Data/instruction write
13	D/I	H: Display data L: Instruction code
14	Vo	Contrast adjust
15	VDD	Power supply
16	VSS	Power supply(GND)
17	NC	No connection
18	NC	No connection

Remark

1. LCD option: STN, FSTN .
2. Standard module.
3. Backlight option: LED backlight feature, other specs not available on catalog is under request.

