

PRODUCT PREVIEW

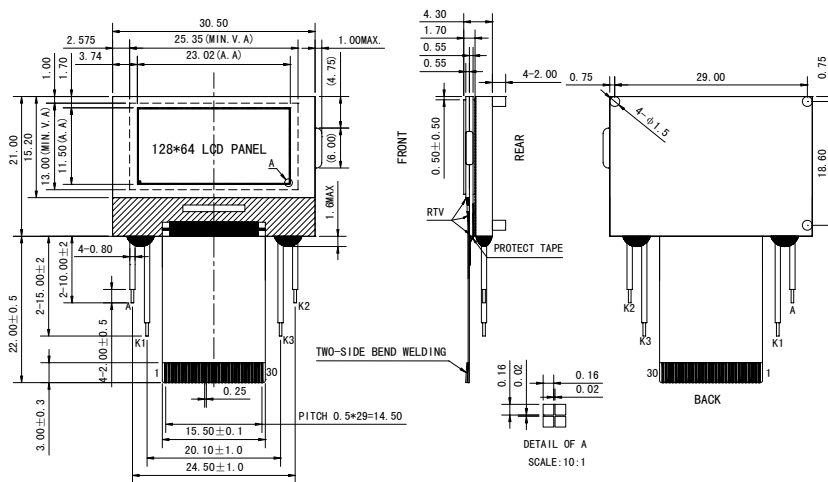
128x 64 Monochrome

SPECIFICATIONS

MODULE

Part Number	G-12864H9G-VA
Format	128 Columns by 64 Rows
Controller	N/A
Overall Dimensions	30.5mm x 21.0mm x 4.3mm
Active Area	23.0mm x 11.5mm
Pixel Pitch	180um x 180um
Pixel Size	160um x 160um
Backlight System	LED
Driver Attach	N/A
Display Type	R,TF,TM
Duty	N/A
Bias	N/A

1.0 DIMENSIONAL DRAWING



Note:

1. Display Type: FSTN, Positive, Transflective
2. Backlight: LED, White
3. Controller: ST7565P; VDD:3.0V
4. Operating Temperature: -20°C ~ +70°C
5. Storage Temperature: -30°C ~ +80°C
6. ROHS
7. Unmarked tolerance: ±0.2mm

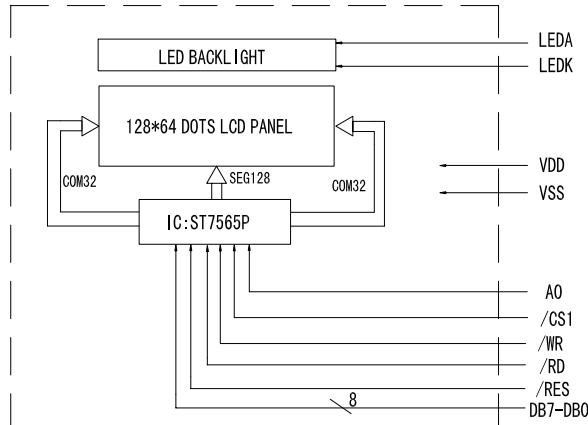
Remark: Both display type and backlight color of the LCM can be customized per request.



PRODUCT PREVIEW

128 x 64 Monochrome

2.0 BLOCK DIAGRAM



5.0 PIN ASSIGNMENT

PIN No.	Symbol
1	IRS
2	P/S
3	C86
4	VR
5-9	V0-V4
10	C2N
11	C2P
12	C1P
13	C1N
14	C3P
15	VOUT
16	VSS
17	VDD
18-25	DB7-DB0

PIN No.	Symbol
26	E (/RD)
27	R/W (/WR)
28	A0
29	/RES
30	/CS1

