

Phoenix Display International, Inc.

PRODUCT PREVIEW

128 x 64 Monochrome

TN/STN

Graphics

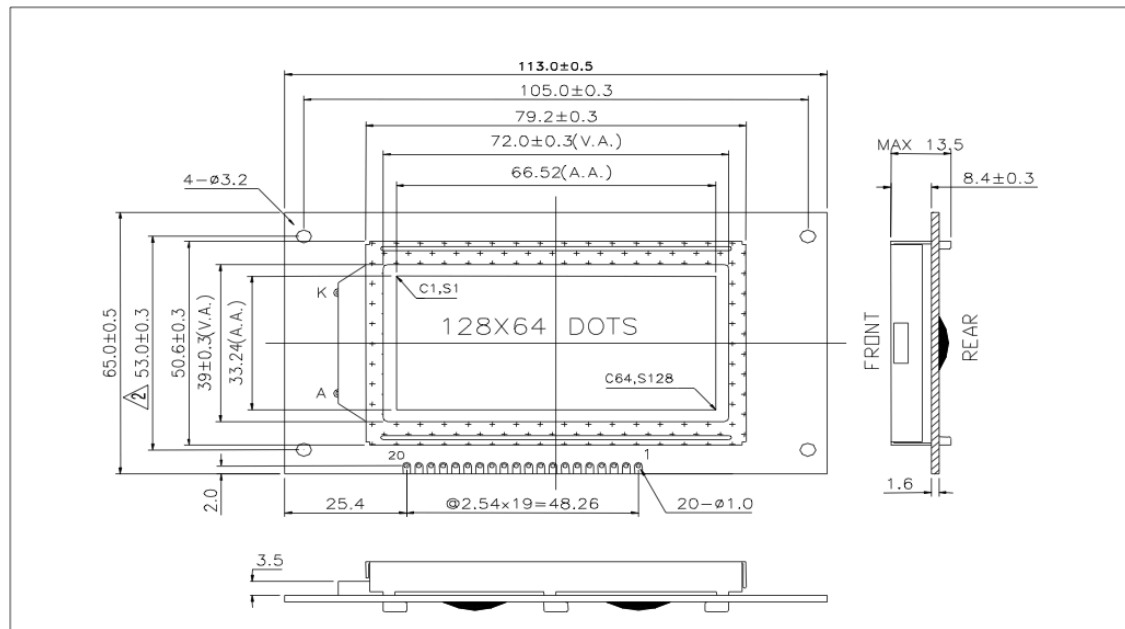
Liquid Crystal Display

SPECIFICATIONS

MODULE

| | |
|--------------------|---------------------------|
| Part Number | G-12864A4C-VA |
| Format | 128 Columns by 64 Rows |
| Controller | S6B0107 plus S6B0108 |
| Overall Dimensions | 113.0mm x 65.0mm x 13.5mm |
| Active Area | 72.0mm x 39.0mm |
| Pixel Pitch | 520um x 520um |
| Pixel Size | 480um x 480um |
| Backlight System | LED |
| Driver Attach | Chip on Board (COB) |
| Glass Type | STN, FSTN |
| Display Type | R,TF,TM |
| Duty | 1/64 |

1.0 DIMENSIONAL DRAWING



Phoenix Display International reserves the right to change this document without prior notice and disclaims all warranties. It is the recipient's duty to confirm with PDI before proceeding with a design. This document is PDI confidential and should not be reproduced without PDI approval.

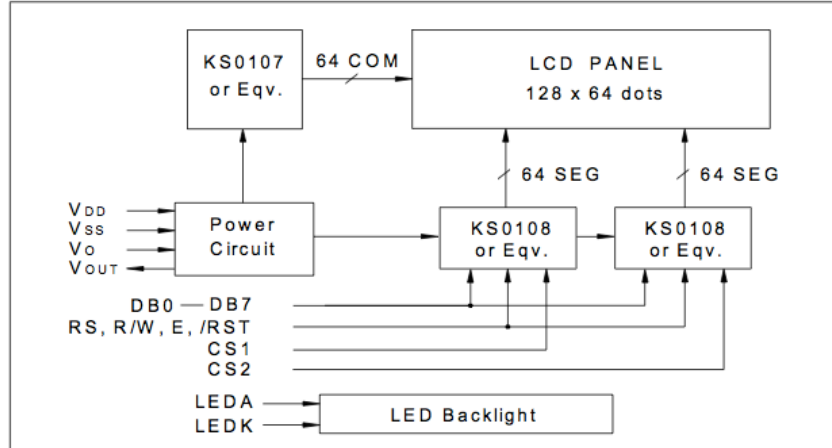


Phoenix Display International, Inc.
www.phoenixdisplay.com sales@phoenixdisplay.com
 Tel: (630) 359-5700 or (480) 775-6315

PRODUCT PREVIEW

128 x 64 Monochrome

2.0 BLOCK DIAGRAM



3.0 ELECTRICAL CHARACTERISTICS (VDD=5.0V ± 10%, Ta=25°C)

| Item | Symbol | Test Condition | Standard Value | | | |
|-------------------------|------------------------|----------------|----------------|------|------|------|
| | | | Min. | Typ. | Max. | Unit |
| Supply Voltage(Logic) | V _{DD} | 25°C | -- | 5.0 | -- | V |
| LCD Operation Voltage | V _{OP} (FSTN) | | -- | 11.5 | -- | V |
| LCM Current Consumption | I _{DD} | | -- | -- | 10.0 | mA |
| EL Backlight Voltage | V _F | | -- | 5.0 | -- | V |

4.0 ABSOLUTE MAXIMUM RATINGS

| Item | Symbol | Test Condition | Standard Value | | |
|------------------------|-------------------------------|----------------|-----------------------|----------------------|------|
| | | | Min. | Max. | Unit |
| Supply Voltage (Logic) | V _{DD-VSS} | 25°C | -0.3 | 7.0 | V |
| Supply Voltage (LCD) | V _{DD-V_O} | | V _{DD} -19.0 | 19.0 | V |
| Input Voltage | V _{IN} | | V _{LCD} -0.3 | V _{DD} +0.3 | V |
| Operating Temp. | T _{OPR} | | -20 | 70 | °C |
| Storage Temp. | T _{STG} | | -30 | 80 | °C |

5.0 PIN ASSIGNMENT

| Pin No. | Symbol | Level | Function |
|---------|---------|--------|--|
| 1 | VSS | 0V | Ground |
| 2 | VDD | +5V | Power supply for logic |
| 3 | VO | - | Operating voltage for LCD |
| 4 | RS | H/L | Register selection H: Display data L: Instruction code |
| 5 | R/W | H/L | Read/Write selection H: Read operation L: Write operation |
| 6 | E | H, H→L | Enable signal. Read data when E is "H", write data at the falling edge of E. |
| 7-14 | DB0-DB7 | H/L | Data bit0~Data bit7 |
| 15 | CS1 | H | Chip selection for IC1, active "H" |
| 16 | CS2 | H | Chip selection for IC2, active "H" |
| 17 | /RST | L | Reset signal, active "L" |
| 18 | VOUT | -10V | Output voltage for LCD driving |
| 19 | LEDA | +5V | Power supply for LED backlight |
| 20 | LEDK | 0V | Power supply for LED backlight |

Remark:
1. LCD option: TN,STN, FSTN .
2. Customized module.

