

PRODUCT PREVIEW

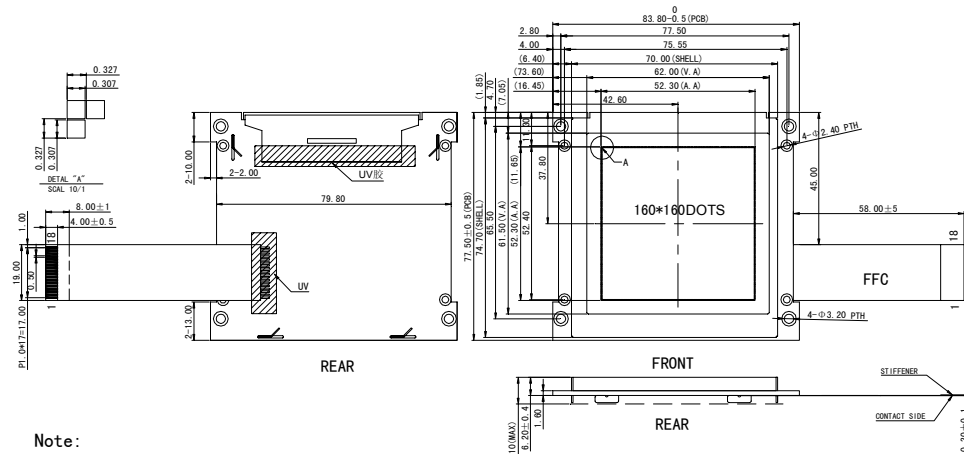
160x 160 Monochrome

SPECIFICATIONS

MODULE

| | |
|--------------------|-------------------------|
| Part Number | G-16016012T-VA |
| Format | 160 Columns by 160 Rows |
| Controller | N/A |
| Overall Dimensions | 83.8mm x 77.5mm x 9.1mm |
| Active Area | 52.4mm x 52.3mm |
| Pixel Pitch | 327um x 327um |
| Pixel Size | 307um x 307um |
| Backlight System | LED |
| Driver Attach | N/A |
| Display Type | R,TF,TM |
| Duty | N/A |
| Bias | N/A |

1.0 DIMENSIONAL DRAWING



Note:

1. Display Type: FSTN, Positive, Transflective
2. Backlight: LED, white
3. Controller: ST7529; VDD: 3.3V
4. Operating Temperature: -20°C ~ +70°C
5. Storage Temperature: -30°C ~ +80°C
6. ROHS
7. Unmarked Toerances: ±0.2mm

Remark: Both display type and backlight color of the LCM can be customized per request.

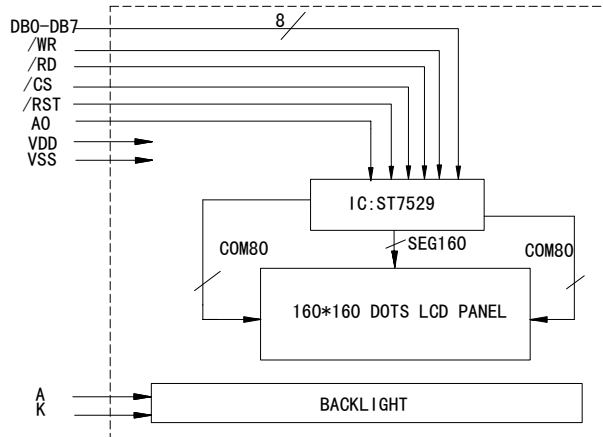
Phoenix Display International reserves the right to change document without prior notice and disclaims all warranties. It is the recipients duty to confirm with PDI before proceeding with a design. This document is PDI confidential and should not be reproduced without PDI approval.



PRODUCT PREVIEW

160 x 160 Monochrome

2.0 BLOCK DIAGRAM



5.0 PIN ASSIGNMENT

| PIN No. | Symbol |
|---------|---------|
| 1 | VSS |
| 2 | A0 |
| 3 | /WR |
| 4 | /RD |
| 5 | /CS |
| 6 | /RST |
| 7 | VDD |
| 8-15 | DB0-DB7 |
| 16 | K |
| 17 | NC |
| 18 | A |

