

Phoenix Display International, Inc.

PRODUCT PREVIEW

320x 240 Monochrome

TN/STN

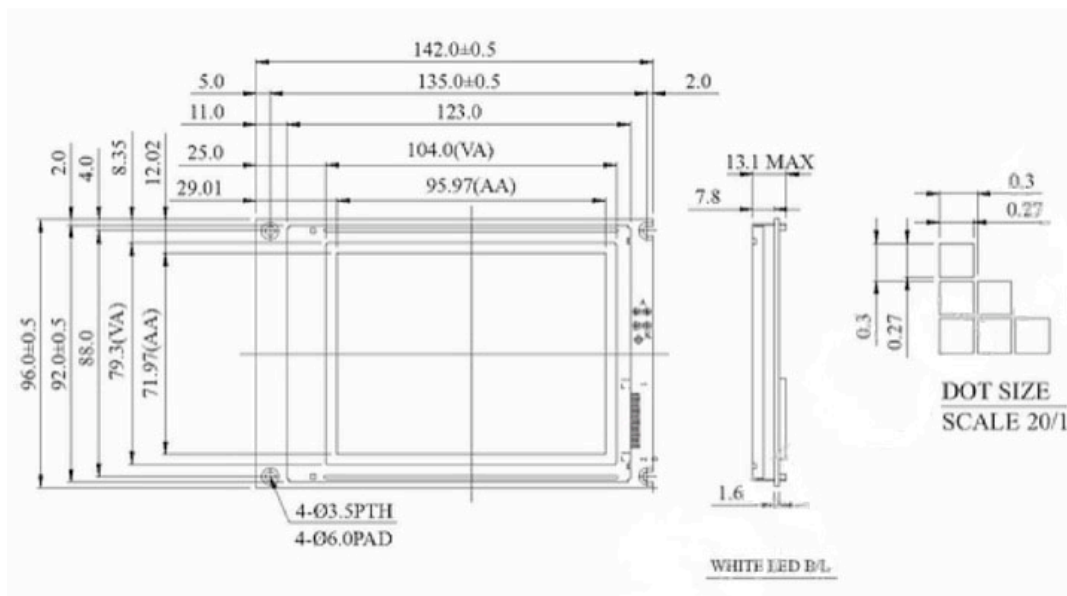
Graphics
Liquid Crystal Display

SPECIFICATIONS

MODULE

Part Number	PDI320240K-TFH-VZ
Display Format	320 x 240 Graphic Display
Module Size	142.0 x 96.0 x 13.1
Diagonal	4.70
Active Area	96.0 X 72.0
Pixel Pitch	0.300 x 0.300
Backlight System	LED
Display Type	R,TF,TM
Glass Type	STN, FSTN

1.0 DIMENSIONAL DRAWING



3.0 ELECTRICAL CHARACTERISTICS

Standard Value

Item	Symbol	Condition (degrees C)	min.	typ.	max.	Unit
Input Voltage	VDD	---	---	5	5.5	V
Supply Current	IDD	VDD=-5V	45	55	65	mA
Recommended LC Driving Voltage for Normal Temp. Version Module	VDD-V0	-20	---	---	26.1	V
Recommended LC Driving Voltage for Normal Temp. Version Module	VDD-V0	25	---	23.8	---	V
Recommended LC Driving Voltage for Normal Temp. Version Module	VDD-V0	70	20.9	---	---	V
CCFL Starting Voltage	VFLS	25	---	600	---	Vrms
CCFL Driving Voltage	VFLD	25	---	268	---	Vrms
CCFL Driving Current	IFLD	VFQ=450Vrms 30KHZ	---	5	---	mArms
LED Forward Voltage	VJ	25	---	5	5.5	V
LED Forward Current	IF	25	---	160	240	mA
Current	IEF	VeL=110VAC;400Hz	---	---	5	mA

4.0 ABSOLUTE MAXIMUM RATINGS

Item	Symbol	Standard Value			Unit
		min.	typ.	max.	
Power Supply	VDD-VSS	4.75	5	5.5	V
Input Voltage	V1	0	---	VDD	V

5.0 PIN ASSIGNMENT

Pin No.	Symbol	Pin No.	Symbol
1	VSS	11	DB4
2	VDD	12	DB5
3	V0	13	DB6
4	A0	14	DB7
5	WR	15	CS
6	RD	16	RES
7	DB0	17	VEE
8	DB1	18	SEL1
9	DB2	19	BUSY
10	DB3	20	A

