

PRODUCT PREVIEW

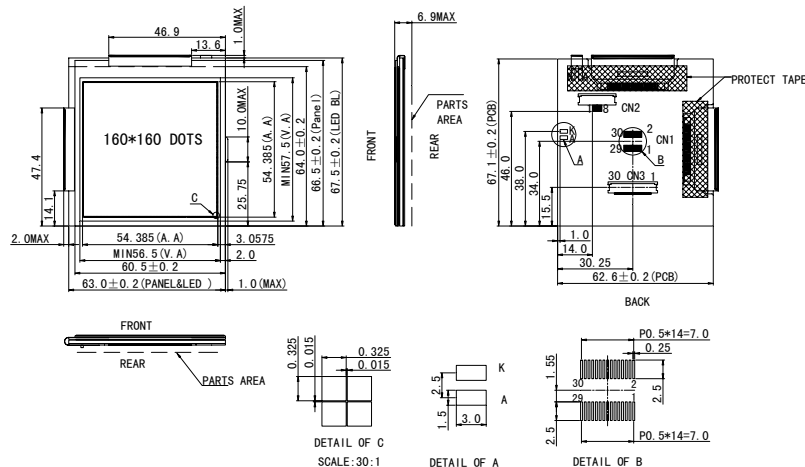
160x 160 Monochrome

SPECIFICATIONS

MODULE

Part Number	G-16016006T-VA
Format	160 Columns by 160 Rows
Controller	N/A
Overall Dimensions	63.0mm x 67.5mm x 6.9mm
Active Area	54.385mm x 54.385mm
Pixel Pitch	340um x 340um
Pixel Size	325um x 325um
Backlight System	LED
Driver Attach	N/A
Display Type	R,TF,TM
Duty	N/A
Bias	N/A

1.0 DIMENSIONAL DRAWING



Note:

1. Display Type: FSTN, Positive, High-Transflective
2. Backlight: LED, White
3. Controller: IST3025; VDD:3.0V
4. Operating Temperature: -20°C ~ +70°C
5. Storage Temperature: -40°C ~ +80°C
6. ROHS
7. Unmarked tolerance: ±0.2mm

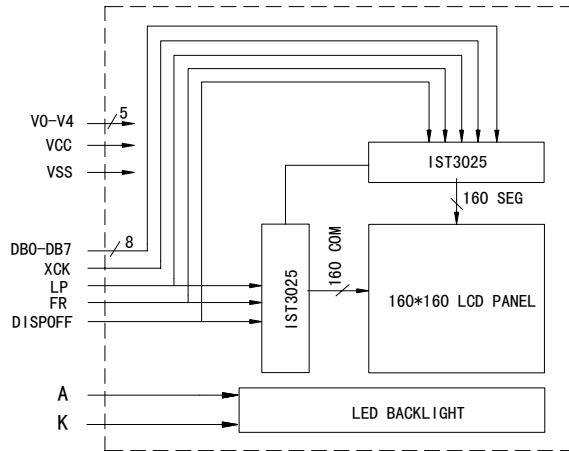
Remark: Both display type and backlight color of the LCM can be customized per request.



PRODUCT PREVIEW

160 x 160 Monochrome

2.0 BLOCK DIAGRAM



5.0 PIN ASSIGNMENT

PIN No.	Symbol
1	V0
2	VOC
3-4	V2-V1
5-6	V3-V4
7	GND
8	L/RC
9	VCC
10	EI02C
11-18	DB0-DB7
19	XCK
20	I SPOFF
21	LP
22	EIO1C
23	FR

PIN No.	Symbol
24	MD
25	GND
26	NC
27	NC
28	NC
29	NC
30	GND

