

PRODUCT PREVIEW

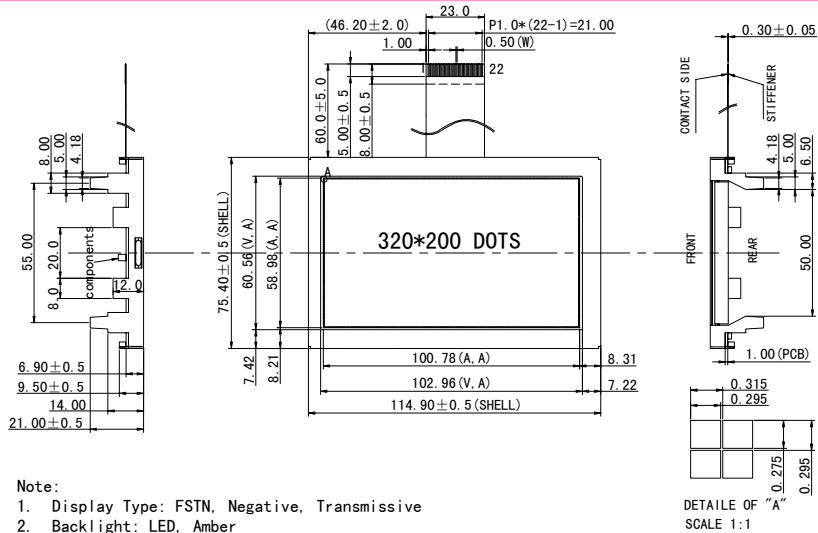
320 x 200 Monochrome

SPECIFICATIONS

MODULE

Part Number	G-32020001T-VA
Format	320 Columns by 200 Rows
Controller	N/A
Overall Dimensions	114.9mm x 75.4mm x 21.0mm
Active Area	100.78mm x 58.98mm
Pixel Pitch	315um x 295um
Pixel Size	295um x 275um
Backlight System	LED
Driver Attach	N/A
Display Type	R,TF,TM
Duty	N/A
Bias	N/A

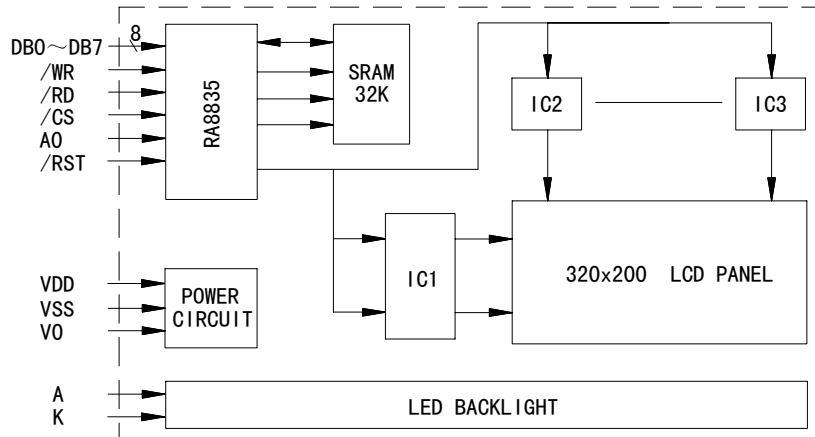
1.0 DIMENSIONAL DRAWING



PRODUCT PREVIEW

320 x 200 Monochrome

2.0 BLOCK DIAGRAM



5.0 PIN ASSIGNMENT

PIN No.	Symbol
1	VSS
2	VDD
3	VADJ
4	/WR
5	/RD
6	/CS
7	A0
8	/RST
9-16	DB0-DB7
17	A
18	K
19	A

20	K
21	VOUT
22	NC

