

PRODUCT PREVIEW

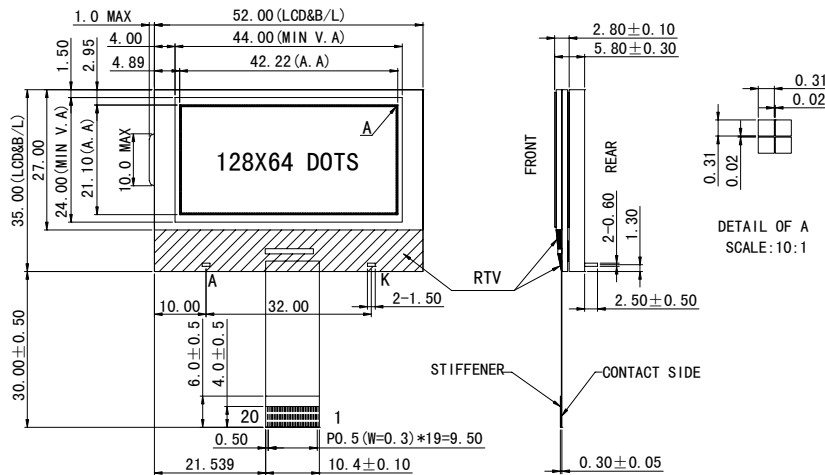
128x 64 Monochrome

SPECIFICATIONS

MODULE

Part Number	G-12864S1G-VA
Format	128 Columns by 64 Rows
Controller	N/A
Overall Dimensions	52.0mm x 35.0mm x 2.8mm
Active Area	42.22mm x 21.1mm
Pixel Pitch	330um x 330um
Pixel Size	310um x 310um
Backlight System	LED
Driver Attach	N/A
Display Type	R,TF,TM
Duty	N/A
Bias	N/A

1.0 DIMENSIONAL DRAWING



Note:

1. Display Type: FSTN, Positive, Transflective
2. Backlight: LED, White
3. Controller: ST7565P; VDD:3.0V
4. Operating Temperature: -20°C ~ +70°C
5. Storage Temperature: -30°C ~ +80°C
6. ROHS
7. Unmarked tolerance: ±0.2mm

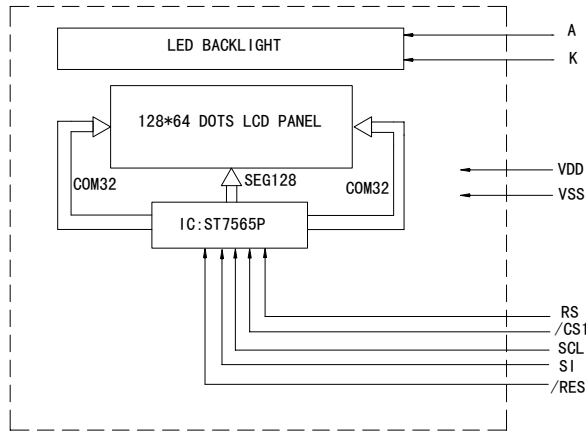
Remark: Both display type and backlight color of the LCM can be customized per request.



PRODUCT PREVIEW

128 x 64 Monochrome

2.0 BLOCK DIAGRAM



5.0 PIN ASSIGNMENT

PIN No.	Symbol
1	/CS1
2	/RES
3	RS
4	SCL
5	SI
6	VDD
7	VSS
8	VOUT
9	C3+
10	C1-
11	C1+
12	C2+
13	C2-
14-18	V4-V0
19	VR
20	IRS

