

PRODUCT PREVIEW

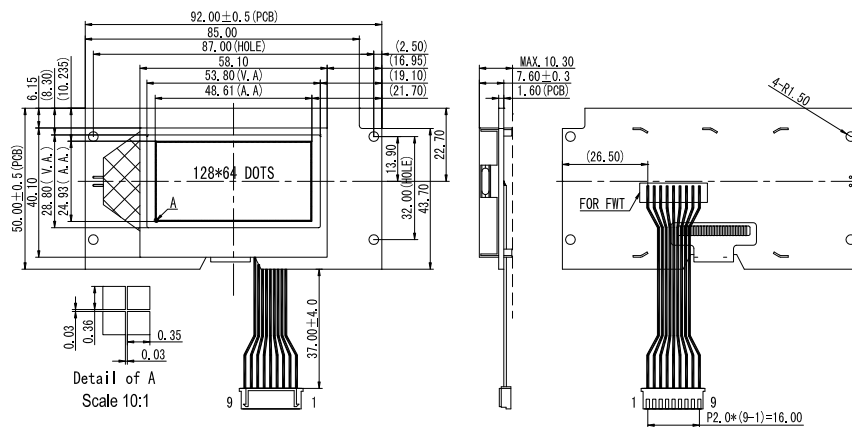
128 x 64 Monochrome

SPECIFICATIONS

MODULE

| | |
|--------------------|--------------------------|
| Part Number | G-12864J7G-VA |
| Format | 128 Columns by 64 Rows |
| Controller | N/A |
| Overall Dimensions | 92.0mm x 50.0mm x 10.3mm |
| Active Area | 48.1mm x 24.9mm |
| Pixel Pitch | 380um x 390um |
| Pixel Size | 350um x 360um |
| Backlight System | LED |
| Driver Attach | N/A |
| Display Type | R,TF,TM |
| Duty | N/A |
| Bias | N/A |

1.0 DIMENSIONAL DRAWING



Note:

1. Display Type: STN, Yellow-Green, Positive, Transmissive
2. Backlight: LED, Pure-Green
3. Controller: ST7565R; VDD:3.0V
4. Operating Temperature: -20°C ~ +70°C
5. Storage Temperature: -30°C ~ +80°C
6. ROHS
7. Unmarked tolerances: ±0.2mm

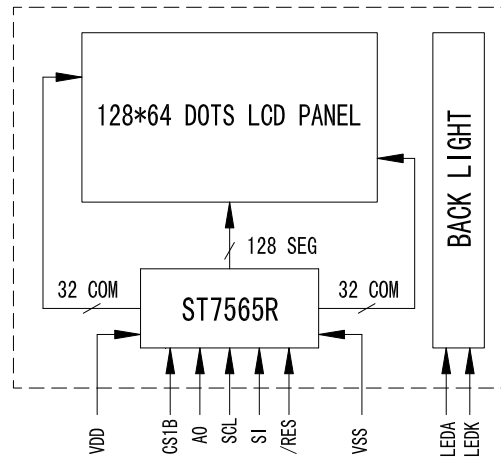
Remark: Both display type and backlight color of the LCM can be customized per request.



PRODUCT PREVIEW

128 x 64 Monochrome

2.0 BLOCK DIAGRAM



5.0 PIN ASSIGNMENT

| PIN No. | Symbol |
|---------|--------|
| 1 | CS1B |
| 2 | /RES |
| 3 | A0 |
| 4 | SCL |
| 5 | SI |
| 6 | VDD |
| 7 | VSS |
| 8 | LEDK |
| 9 | LEDA |

