

Phoenix Display International, Inc.

PRODUCT PREVIEW

80 x 48 Monochrome

TN/STN

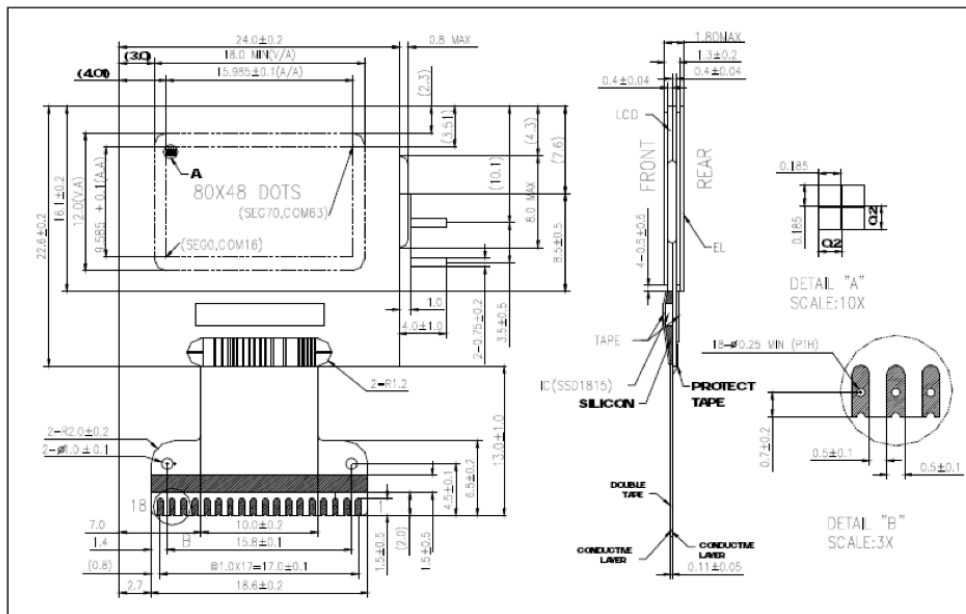
Graphics
Liquid Crystal Display

SPECIFICATIONS

MODULE

| | |
|--------------------|-------------------------|
| Part Number | G-804801G-VA |
| Format | 80 Columns by 48 Rows |
| Controller | SSD1815BZ |
| Overall Dimensions | 24.0mm x 35.6mm x 1.8mm |
| Active Area | 16.0mm x 9.6mm |
| Pixel Pitch | 200um x 200um |
| Pixel Size | 185um x 185um |
| Backlight System | EL |
| Driver Attach | Chip on Glass (COG) |
| Glass Type | STN, FSTN |
| Display Type | R,TF,TM |
| Duty | 1/65 |

1.0 DIMENSIONAL DRAWING



Phoenix Display International reserves the right to change this document without prior notice and disclaims all warranties. It is the recipient's duty to confirm with PDI before proceeding with a design. This document is PDI confidential and should not be reproduced without PDI approval.

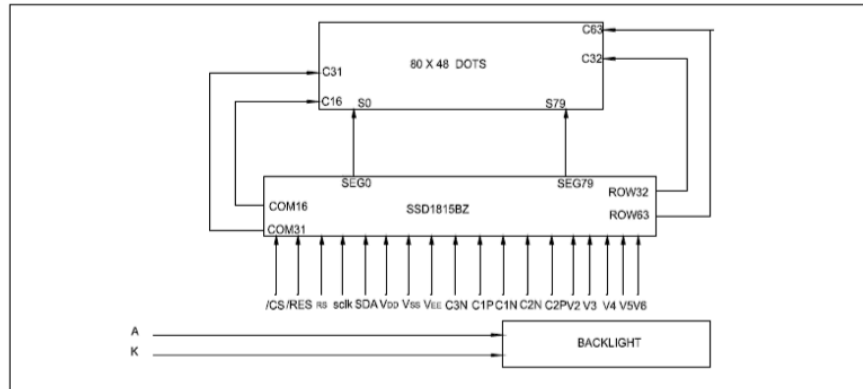


Phoenix Display International, Inc.
www.phoenixdisplay.com sales@phoenixdisplay.com
 Tel: (630) 359-5700 or (480) 775-6315

PRODUCT PREVIEW

80 x 48 Monochrome

2.0 BLOCK DIAGRAM



3.0 ELECTRICAL CHARACTERISTICS Ta=25 °C VDD=2.8V±0.25V

| Item | Symbol | Test Condition | Standard Value | | | |
|-------------------------------|---------------------|----------------|----------------|------|------|------|
| | | | Min. | Typ. | Max. | Unit |
| Power Supply Voltage | V _{DD-VSS} | 25°C | 2.55 | 2.8 | 3.05 | V |
| LCD Operation Voltage | V _{OP} | | 9.2 | - | - | V |
| LCM Current Consumption | I _{DD} | | 2 | 3 | - | mA |
| Backlight Forward Voltage(EL) | V _F | | 110 | - | - | ~V |

4.0 ABSOLUTE MAXIMUM RATINGS

| Item | Symbol | Test Condition | Standard Value | | |
|------------------------|---------------------|----------------|----------------|----------------------|------|
| | | | Min. | Max. | Unit |
| Supply Voltage (Logic) | V _{DD-VSS} | 25°C | -0.3 | 4.0 | V |
| Supply Voltage (LCD) | V _{EE} | | 0 | -12 | V |
| Input Voltage | V _{IN} | | -0.3 | V _{DD} +0.3 | V |
| Operating Temp. | T _{OPR} | | -20 | 70 | °C |
| Storage Temp. | T _{STG} | | -30 | 80 | °C |

5.0 PIN ASSIGNMENT

| PIN No. | Symbol | Description |
|---------|--------|----------------------|
| 1 | /CS | Connect to MPU |
| 2 | /RES | Connect to MPU |
| 3 | RS | Connect to MPU |
| 4 | SCLK | Connect to MPU |
| 5 | SDA | Connect to MPU |
| 6 | VDD | Recommend +2.8V |
| 7 | VSS | GND |
| 8 | VEE | Connect to 1.0uF→VSS |
| 9 | C3N | Connect to 1.0uF→C1P |
| 10 | C1P | -- |
| 11 | C1N | Connect to 1.0uF→C1P |
| 12 | C2N | Connect to 1.0uF→C2P |
| 13 | C2P | --- |
| 14 | V2 | Connect to 1.0uF→VDD |
| 15 | V3 | Connect to 1.0uF→VDD |
| 16 | V4 | Connect to 1.0uF→VDD |
| 17 | V5 | Connect to 1.0uF→VDD |
| 18 | V6 | Connect to 1.0uF→VDD |

