

Phoenix Display International, Inc.

PRODUCT PREVIEW

240 x 64 Monochrome

TN/STN

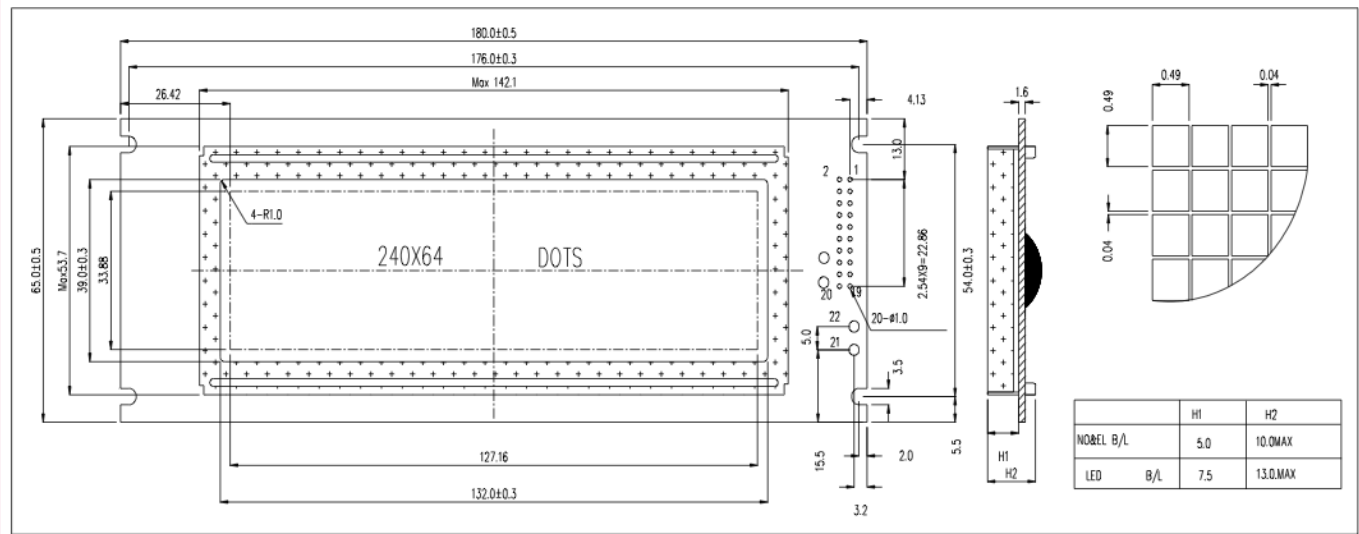
Graphics
Liquid Crystal Display

SPECIFICATIONS

MODULE

Part Number	G-2406405C-VA
Format	240 Columns by 64 Rows
Controller	T6963C
Overall Dimensions	180.0mm x 65.0mm x 13.0mm
Active Area	127.1mm x 33.9mm
Pixel Pitch	530um x 530um
Pixel Size	490um x 490um
Backlight System	LED
Driver Attach	Chip on Board (COB)
Glass Type	STN, FSTN
Display Type	R,TF,TM
Duty	1/64

1.0 DIMENSIONAL DRAWING



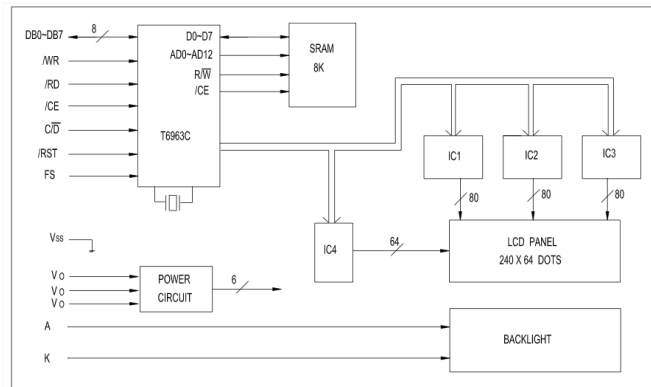
Phoenix Display International reserves the right to change this document without prior notice and disclaims all warranties. It is the recipient's duty to confirm with PDI before proceeding with a design. This document is PDI confidential and should not be reproduced without PDI approval.



PRODUCT PREVIEW

240 x 64 Monochrome

2.0 BLOCK DIAGRAM



3.0 ELECTRICAL CHARACTERISTICS Ta=25 °C VDD=5.0V±0.25V

Item	Symbol	Test Condition	Standard Value			Unit
			Min.	Typ.	Max.	
Power Supply Voltage	VDD-VSS	25°C	4.5	5.0	5.5	V
LCD Operation Voltage	VOP		-	12.0	-	V
LCM Current Consumption	IDD		-	-	20.0	mA
Backlight Forward Voltage	VF		-	4.2	-	V

4.0 ABSOLUTE MAXIMUM RATINGS

Item	Symbol	Test Condition	Standard Value		
			Min.	Max.	Unit
Supply Voltage (Logic)	VDD-VSS	25°C	-0.3	7.0	V
Supply Voltage (LCD)	VDD-Vo		-	28	V
Input Voltage	VIN		-0.3	VDD+0.3	V
Operating Temp.	TOPR	-	-20	70	°C
Storage Temp.	TSTG	-	-30	80	°C

5.0 PIN ASSIGNMENT

PIN No.	Symbol	Description
1	FG	Frame Ground
2	VSS	Ground
3	VDD	Power supply for logic circuit
4	Vo	Operating voltage for LCD driving
5	WR	Command and data write signal
6	RD	Data and status read signal
7	CE	Chip enable signal
8	C/D	Write: H-Command write, L-Data write Read: H-Status read, L-Data read
9	Nc	No connection
10	RESET	Reset signal
11~18	DB0-DB7	Data bus
19	FS	Font selection H: 6x8Dots, L: 8x8dots
20	NC	No connection
21	LEDK	LED Back-light
22	LEDA	LED Back-light

Remark

- LCD option: STN, FSTN .
- Standard module.
- Backlight option: LED backlight feature, other specs not available on catalog is under request.

