

# PRODUCT PREVIEW

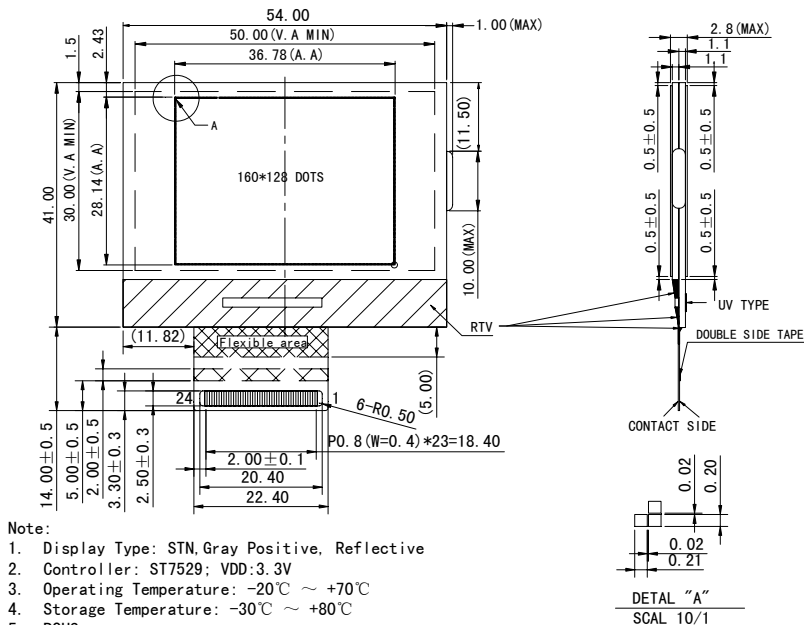
## 160x 128 Monochrome

### SPECIFICATIONS

#### MODULE

Part Number	G-16012807G-VA
Format	160 Columns by 128 Rows
Controller	N/A
Overall Dimensions	54.0mm x 41.0mm x 2.8mm
Active Area	36.78mm x 28.14mm
Pixel Pitch	230um x 220um
Pixel Size	210um x 200um
Backlight System	None
Driver Attach	N/A
Display Type	R,TF,TM
Duty	N/A
Bias	N/A

#### 1.0 DIMENSIONAL DRAWING



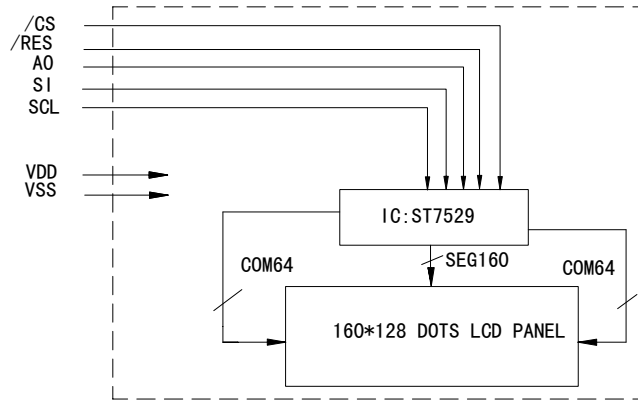
- Note:
1. Display Type: STN, Gray Positive, Reflective
  2. Controller: ST7529; VDD: 3.3V
  3. Operating Temperature: -20°C ~ +70°C
  4. Storage Temperature: -30°C ~ +80°C
  5. ROHS
  6. Unmarked Tolerances: ±0.2mm
- Remark: Display type of the LCM can be customized per request.



# PRODUCT PREVIEW

## 160 x 128 Monochrome

### 2.0 BLOCK DIAGRAM



### 5.0 PIN ASSIGNMENT

PIN No.	Symbol
1	A0
2	/RES
3	SI
4	SCL
5	/CS
6	VDD
7	VSS
8	C7+
9	C5+
10	C3+
11	C1-
12	C1+
13	C2+
14	C2-
15	C4+

PIN No.	Symbol
16	C2-
17	C6+
18	VLCDIN
19	VLCDOUT
20	V4
21	V3
22	V2
23	V1
24	V0

