

Phoenix Display International, Inc.

PRODUCT PREVIEW

128 x 64 Monochrome

TN/STN

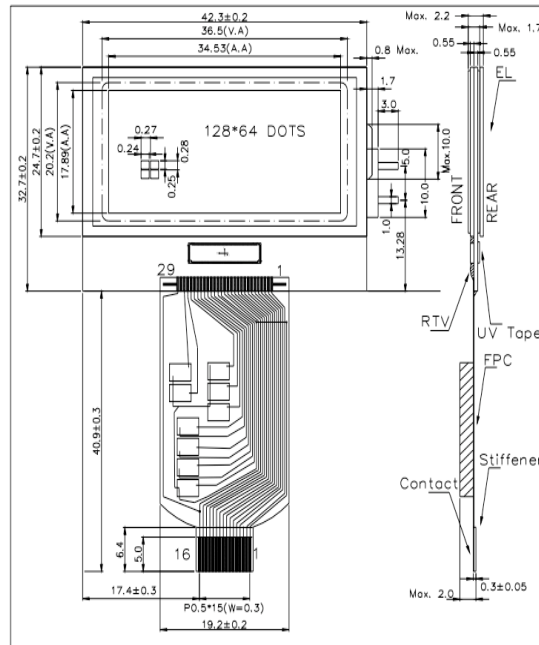
Graphics
Liquid Crystal Display

SPECIFICATIONS

MODULE

Part Number	PDI-MG1286437G-VA
Format	128 Columns by 64 Rows
Controller	S6B1713A11-B0CZ
Overall Dimensions	42.3mm x 73.6mm x 1.7mm
Active Area	34.5mm x 17.9mm
Pixel Pitch	270um x 280um
Pixel Size	240um x 250um
Backlight System	EL
Driver Attach	Chip on Glass (COG)
Display Type	STN, FSTN
Duty	1/64
Bias	1/9

1.0 DIMENSIONAL DRAWING



Phoenix Display International reserves the right to change this document without prior notice and disclaims all warranties. It is the recipient's duty to confirm with PDI before proceeding with a design. This document is PDI confidential and should not be reproduced without PDI approval.

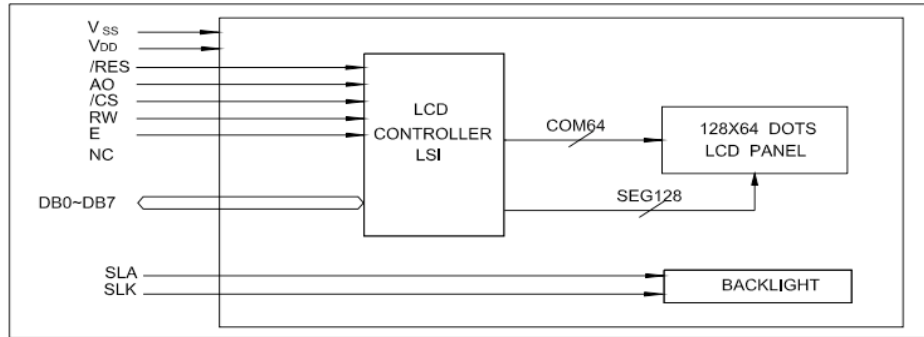


Phoenix Display International, Inc.
www.phoenixdisplay.com sales@phoenixdisplay.com
 Tel: (630) 359-5700 or (480) 775-6315

PRODUCT PREVIEW

128 x 64 Monochrome

20 BLOCK DIAGRAM



3.0 ELECTRICAL CHARACTERISTICS Ta=25 °C VDD=3.0V±0.25V

Item	Symbol	Test Condition	Standard Value			
			Min.	Typ.	Max.	Unit
Power Supply Voltage	V _{DD} -V _{SS}	25°C	2.7	3.0	5.5	V
LCD Operation Voltage	V _{OP}			9.0	13	V
LCM Current Consumption	I _{DD}			2	3	mA
Backlight Forward Voltage	V _F			110		V

4.0 ABSOLUTE MAXIMUM RATINGS

Item	Symbol	Test Condition	Standard Value		
			Min.	Max.	Unit
Supply Voltage (Logic)	V _{DD} -V _{SS}	25°C	-0.3	7	V
Supply Voltage (LCD)	V _{DD} -V _O		-0.3	13	V
Input Voltage	V _{IN}		-0.3	V _{DD} +0.3	V
Operating Temp.	T _{OPR}		0	50	°C
Storage Temp.	T _{STG}		-10	60	°C

5.0 PIN ASSIGNMENT

PIN No.	Symbol	Description
1	VSS	Ground
2	/CS	Chip enable signal
3	NC	No Connect
4	/RES	Reset signal Power supply for LCD
5	A0	Register select input pin
6	RW	Read / Write execution control pin
7	E	Read / Write execution control pin
8~15	D0~D7	Data bus
16	VDD	Power supply for logic circuit

Remark

- LCD option: STN, FSTN .
- Customized module.
- Backlight option: EL backlight feature, other specs not available on catalog is under request.

