

PRODUCT PREVIEW

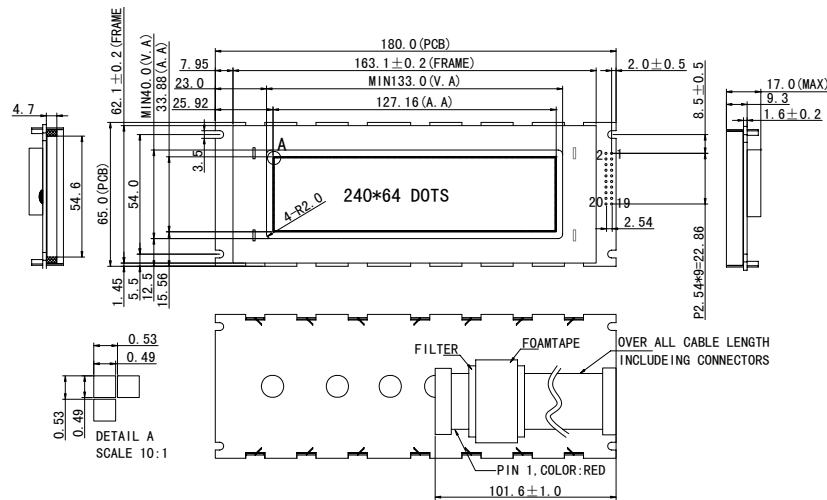
240 x 64 Monochrome

SPECIFICATIONS

MODULE

Part Number	G-2406408C-VA
Format	240 Columns by 64 Rows
Controller	N/A
Overall Dimensions	180.0mm x 65.0mm x 17.0mm
Active Area	127.16mm x 33.88mm
Pixel Pitch	530um x 530um
Pixel Size	490um x 490um
Backlight System	None
Driver Attach	N/A
Display Type	R,TF,TM
Duty	N/A
Bias	N/A

1.0 DIMENSIONAL DRAWING



- Note:
1. Display Type: FSTN, Positive, Transmissive
 2. Controller: T6963C; VDD:5.0V
 3. Operating Temperature: -20°C ~ +70°C
 4. Storage Temperature: -30°C ~ +80°C
 5. ROHS
 6. Unmarked tolerance: ±0.3
 7. Remark: Display type of the LCM can be customized per request.

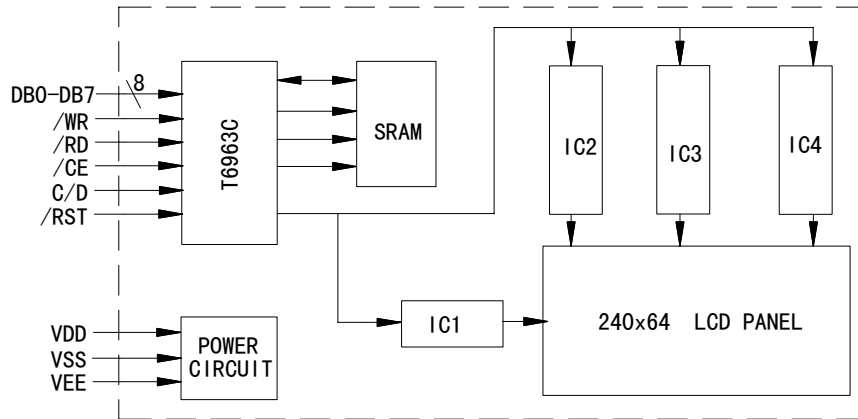
Phoenix Display International reserves the right to change document without prior notice and disclaims all warranties. It is the recipient's duty to confirm with PDI before proceeding with a design. This document is PDI confidential and should not be reproduced without PDI approval.



PRODUCT PREVIEW

320 x 240 Monochrome

2.0 BLOCK DIAGRAM



5.0 PIN ASSIGNMENT

PIN No.	Symbol
1	FG
2	VSS
3	VDD
4	VEE
5	/WR
6	/RD
7	/CE
8	C/D
9	NC
10	/RST
11	DB0
12	DB1
13	DB2

14	DB3
15	DB4
16	FB5
17	DB6
18	DB7
19	FS
20	NC

