

Phoenix Display International, Inc.

PRODUCT PREVIEW

128 x 112 Monochrome

SPECIFICATIONS

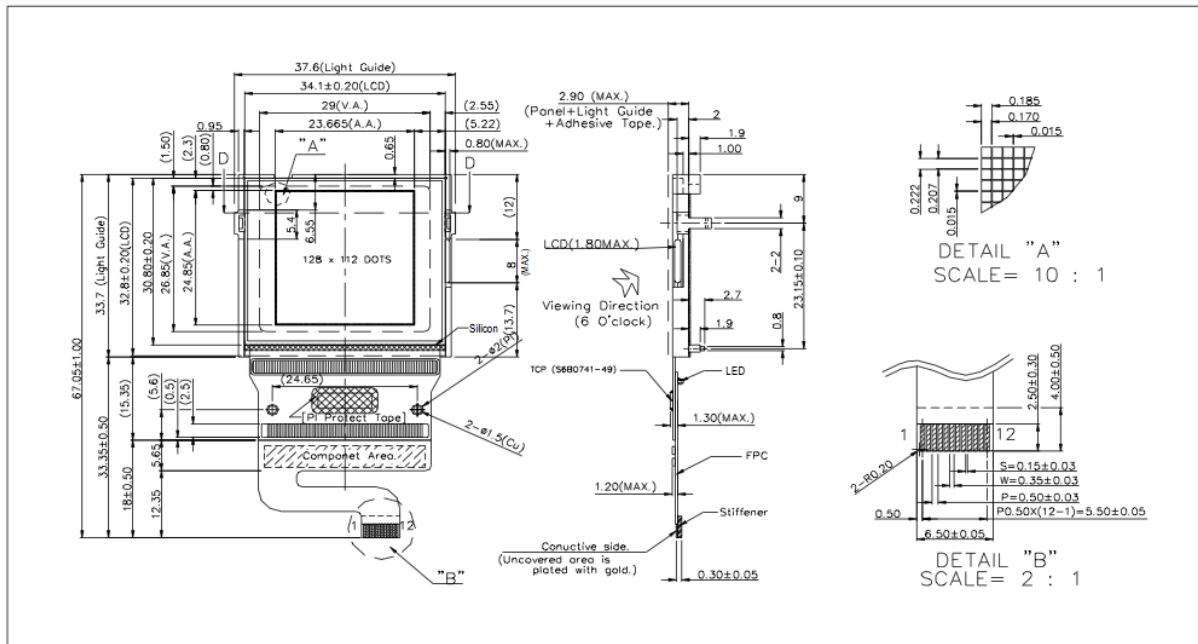
TN/STN

Graphics
Liquid Crystal Display

MODULE

Part Number	G-12811203T-VA
Format	128 Columns by 112 Rows
Controller	KS0741-49
Overall Dimensions	37.6mm x 67.1mm x 2.9mm
Active Area	23.7mm x 24.9mm
Pixel Pitch	185um x 222um
Pixel Size	107um x 207um
Backlight System	LED
Driver Attach	TAB
Glass Type	STN, FSTN
Display Type	R,TF,TM
Duty	1/112

1.0 DIMENSIONAL DRAWING



Phoenix Display International reserves the right to change this document without prior notice and disclaims all warranties. It is the recipient's duty to confirm with PDI before proceeding with a design. This document is PDI confidential and should not be reproduced without PDI approval.



Phoenix Display International, Inc.
www.phoenixdisplay.com sales@phoenixdisplay.com
 Tel: (630) 359-5700 or (480) 775-6315

Phoenix Display International, Inc.

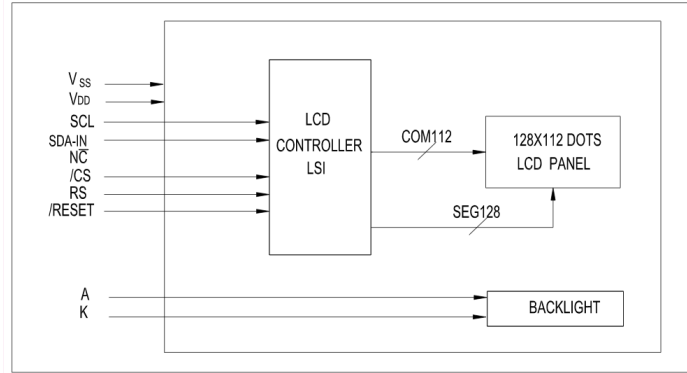
PRODUCT PREVIEW

128 x 112 Monochrome

TN/STN

Graphics
Liquid Crystal Display

2.0 BLOCK DIAGRAM



3.0 ELECTRICAL CHARACTERISTICS Ta=25 °C VDD=2.80V±0.25V

Item	Symbol	Test Condition	Standard Value			Unit
			Min.	Typ.	Max.	
Power Supply Voltage	V _{DD} -V _{SS}	25°C	2.4	2.8	3.6	V
LCD Operation Voltage	V _{OP}		-	11.8	-	V
LCM Current Consumption	I _{DD}		-	0.2	0.3	mA
Backlight Forward Voltage	V _F		-	3.2	-	V
Backlight Current Consumption	I _F		-	20	-	mA

4.0 ABSOLUTE MAXIMUM RATINGS

Item	Symbol	Test Condition	Standard Value		
			Min.	Max.	Unit
Supply Voltage (Logic)	V _{DD} -V _{SS}	25°C	-0.3	7	V
Supply Voltage (LCD)	V _{DD} -V _O		-0.3	17	V
Input Voltage	V _{IN}		-0.3	V _{DD} +0.3	V
Operating Temp.	T _{OPR}		-20	70	°C
Storage Temp.	T _{STR}		-40	80	°C

5.0 PIN ASSIGNMENT

PIN No.	Symbol	Description
1	V _{DD}	Power supply for Logic voltage
2	V _{DD}	Power supply for Logic voltage
3	SCL	Serial input clock
4	SDA_IN	Serial input data
5	NC	No Connection
6	/CS	Chip selection
7	RS	Selects the register
8	/RESET	Reset input
9	LED+	Power supply for LED voltage
10	LED-	Power supply for LED voltage
11	V _{SS}	Ground
12	V _{SS}	Ground

Remark

- LCD option: STN, FSTN .
- Customized module.
- Backlight option: LED backlight feature, other specs not available on catalog is under request.

