

Phoenix Display International, Inc.

PRODUCT PREVIEW

240 x 128 Monochrome

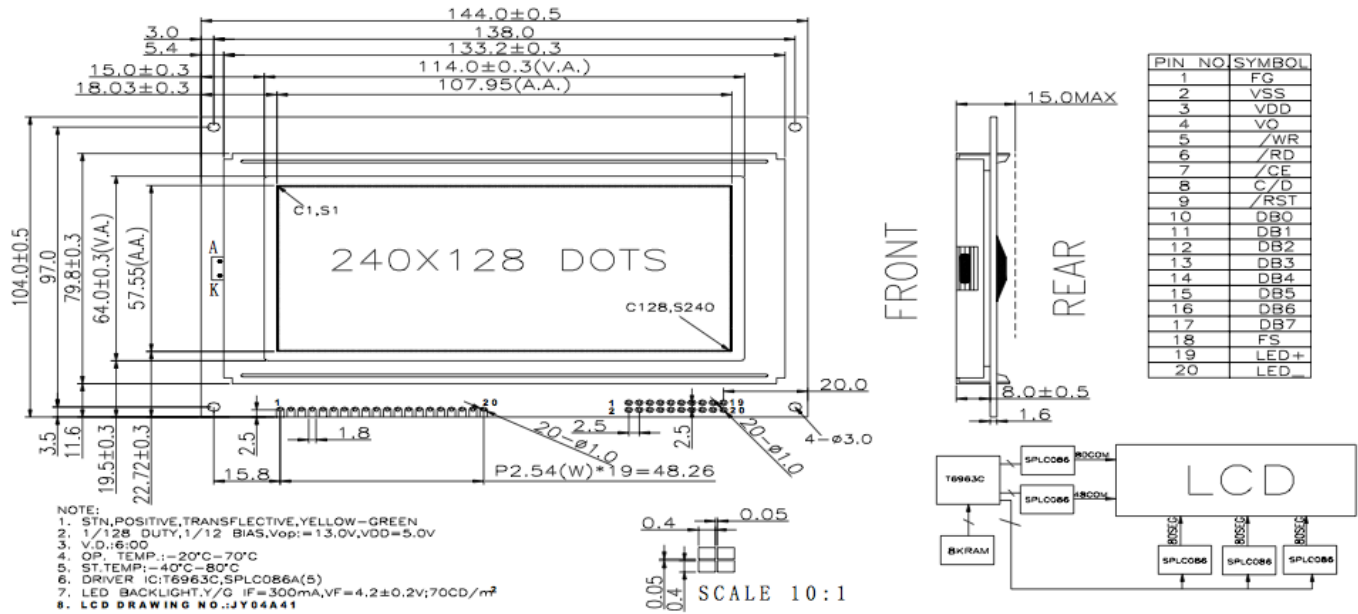
TN/STN

Graphics
Liquid Crystal Display

SPECIFICATIONS

MODULE

Part Number	G-24012808C-VA
Format	240 Columns by 128 Rows
Controller	T6963C
Overall Dimensions	144.0mm x 104.0mm x 15.0mm
Active Area	108.0mm x 57.6mm
Pixel Pitch	450um x 450um
Pixel Size	400um x 400um
Backlight System	LED
Driver Attach	Chip on Board (COB)
Glass Type	STN, FSTN
Display Type	R,TF,TM
Duty	1/128



Phoenix Display International reserves the right to change this document without prior notice and disclaims all warranties. It is the recipient's duty to confirm with PDI before proceeding with a design. This document is PDI confidential and should not be reproduced without PDI approval.

