

# PRODUCT PREVIEW

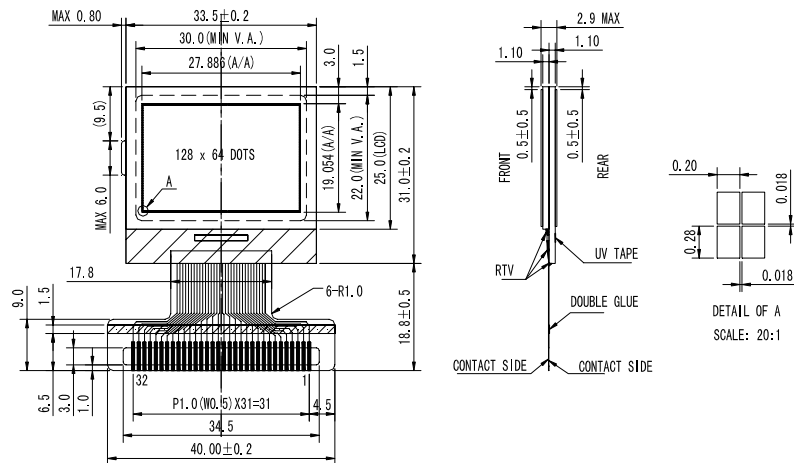
## 128x 64 Monochrome

### SPECIFICATIONS

#### MODULE

Part Number	G-12864G8G-VA
Format	128 Columns by 64 Rows
Controller	N/A
Overall Dimensions	33.5mm x 31.0mm x 2.9mm
Active Area	27.9mm x 19.1mm
Pixel Pitch	218um x 298um
Pixel Size	200um x 280um
Backlight System	None
Driver Attach	N/A
Display Type	R,TF,TM
Duty	N/A
Bias	N/A

#### 1.0 DIMENSIONAL DRAWING



**Note:**

1. DisplayType: STN-GRAY. Positive, Transflective
2. Controller: ST7565P; VDD: 3.0V
3. Operating Temperature: -20°C ~ +70°C
4. Storage Temperature: -30°C ~ +80°C
5. ROHS
6. Unmarked tolerance: ±0.2mm

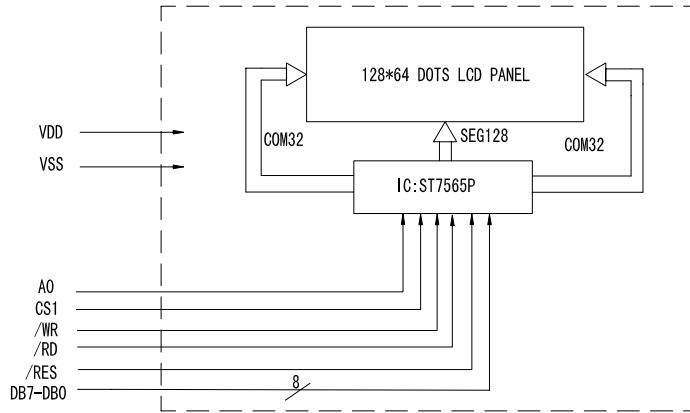
Remark: Display type of the LCM can be customized per request.



# PRODUCT PREVIEW

## 128 x 64 Monochrome

### 2.0 BLOCK DIAGRAM



### 5.0 PIN ASSIGNMENT

PIN No.	Symbol
1	NC
2	CS1
3	NC
4	/RES
5	A0
6	/WR (RE)
7	/RD (E)
8-15	DB0-DB7
16	VDD
17	VSS
18	VOUT
19	NC
20	CAP3P
21	CAP1N
22	CAP1P

PIN No.	Symbol
23	CAP2P
24	CAP2N
25-29	V4-V0
30	VR
31	C86
32	NC

