

# PRODUCT PREVIEW

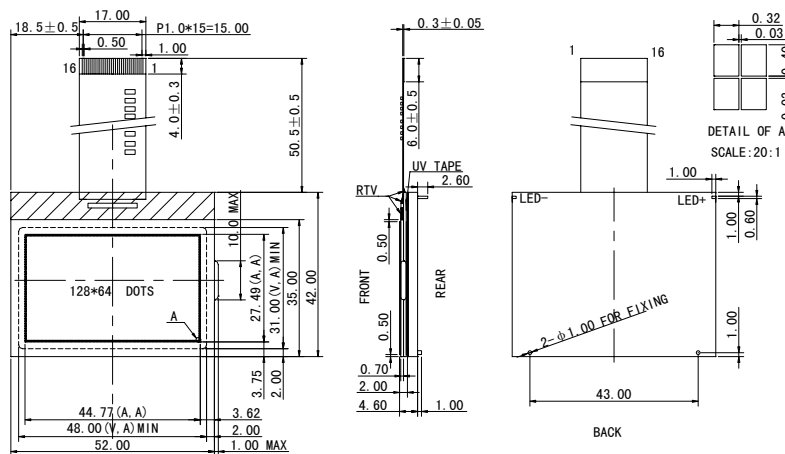
## 128x 64 Monochrome

### SPECIFICATIONS

#### MODULE

Part Number	G-12864R3G-VA
Format	128 Columns by 64 Rows
Controller	N/A
Overall Dimensions	52.0mm x 42.0mm x 4.6mm
Active Area	44.8mm x 27.5mm
Pixel Pitch	350um x 430um
Pixel Size	320um x 400um
Backlight System	LED
Driver Attach	N/A
Display Type	R,TF,TM
Duty	N/A
Bias	N/A

#### 1.0 DIMENSIONAL DRAWING



**Note:**

1. Display Type: FSTN, Positive, Transflective
2. Backlight: LED, Yellow-Green
3. Controller: ST7541; VDD:3.0V
4. Operating Temperature: -20°C ~ +70°C
5. Storage Temperature: -30°C ~ +80°C
6. ROHS
7. Unmarked tolerance: ±0.2mm

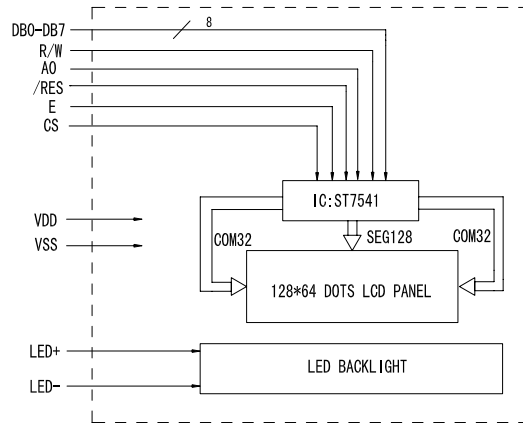
Remark: Both display type and backlight color of the LCM can be customized per request.



# PRODUCT PREVIEW

## 128 x 64 Monochrome

### 2.0 BLOCK DIAGRAM



### 5.0 PIN ASSIGNMENT

PIN No.	Symbol
1	GND
2	VDD
3-10	DB7-DB0
11	E
12	R/W
13	A0
14	/RES
15	CS
16	NC

