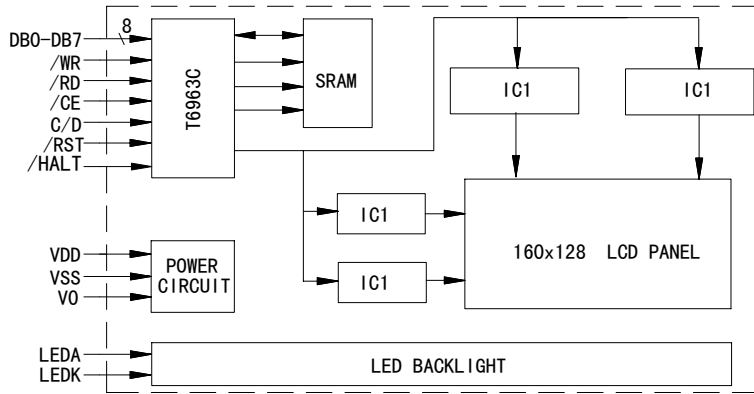


PRODUCT PREVIEW

160 x 128 Monochrome

2.0 BLOCK DIAGRAM



5.0 PIN ASSIGNMENT

PIN No.	Symbol
1	FG
2	VSS
3	VDD
4	V0
5	VEE
6	/WR
7	/RD
8	/CE
9	C/D
10	/HALT
11	/RST
12	DB0
13	DB1
14	DB2
15	DB3

PIN No.	Symbol
16	DB4
17	DB5
18	DB6
19	DB7
20	NC
21	LEDA
22	LEDA
23	LEDK
24	LEDK

