

PRODUCT PREVIEW

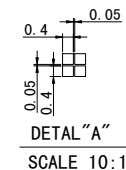
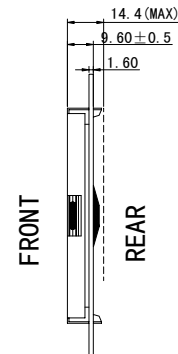
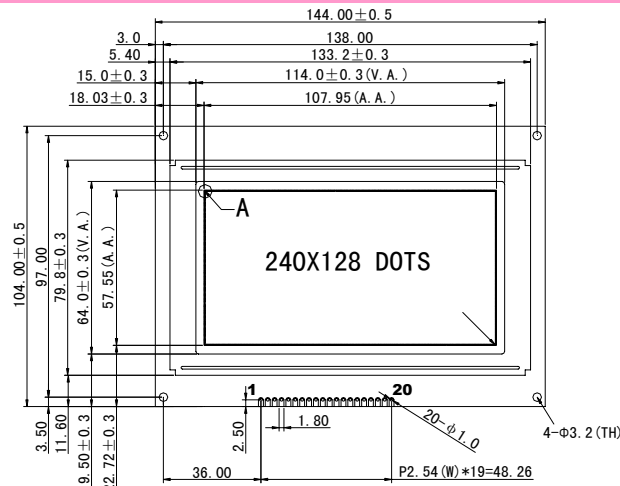
240 x 128 Monochrome

SPECIFICATIONS

MODULE

Part Number	G-24012810C-VA
Format	240 Columns by 128 Rows
Controller	N/A
Overall Dimensions	144.0mm x 104.0mm x 14.4mm
Active Area	107.95mm x 57.55mm
Pixel Pitch	450um x 450um
Pixel Size	400um x 400um
Backlight System	LED
Driver Attach	N/A
Display Type	R,TF,TM
Duty	N/A
Bias	N/A

1.0 DIMENSIONAL DRAWING



Note:

1. Display Type: STN-BLUE, Negative, Transmissive
2. Backlight: LED, white
3. Controller: T6963; VDD:5.3V
4. Operating Temperature: -20°C ~ +70°C
5. Storage Temperature: -30°C ~ +80°C
6. ROHS
7. Unmarked Tolerances: ±0.2mm

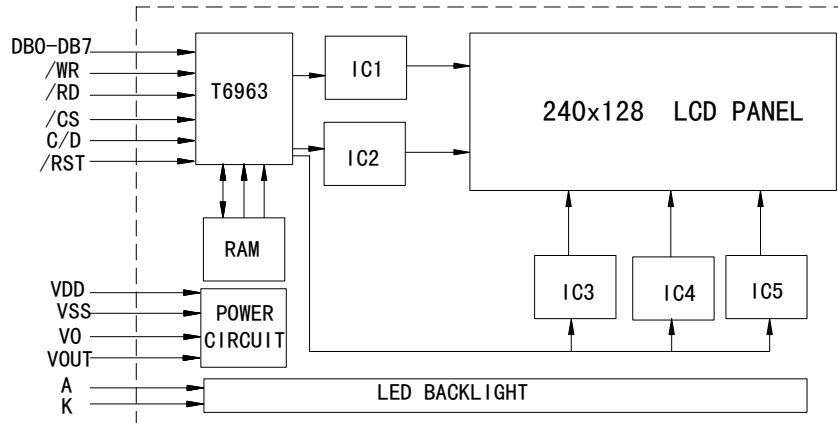
Remark: Both display type and backlight color of the LCM can be customized per request.



PRODUCT PREVIEW

240 x 128 Monochrome

2.0 BLOCK DIAGRAM



5.0 PIN ASSIGNMENT

PIN No.	Symbol
1	VSS
2	VDD
3	V0
4	C/D
5	/CS
6-13	DB0-DB7
14	/RST
15	VOUT
16	A
17	/RD
18	/WR
19	FS
20	K

