

Phoenix Display International, Inc.

PRODUCT PREVIEW

128 x 64 Monochrome

TN/STN

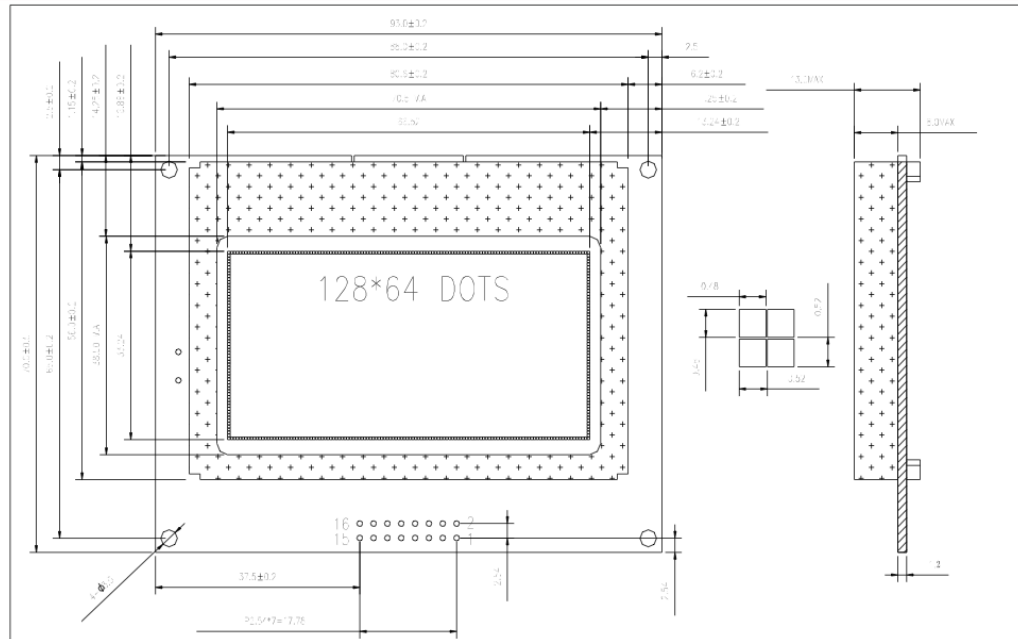
Graphics
Liquid Crystal Display

SPECIFICATIONS

MODULE

Part Number	G-1286449G-VA
Format	128 Columns by 64 Rows
Controller	SSD1815BZ
Overall Dimensions	93.0mm x 70.0mm x 13.0mm
Active Area	66.5mm x 37.5mm
Pixel Pitch	520um x 520um
Pixel Size	480um x 480um
Backlight System	EL
Driver Attach	Chip on Glass (COG)
Glass Type	STN, FSTN
Display Type	R,TF,TM
Duty	1/64

1.0 DIMENSIONAL DRAWING



Phoenix Display International reserves the right to change this document without prior notice and disclaims all warranties. It is the recipient's duty to confirm with PDI before proceeding with a design. This document is PDI confidential and should not be reproduced without PDI approval.

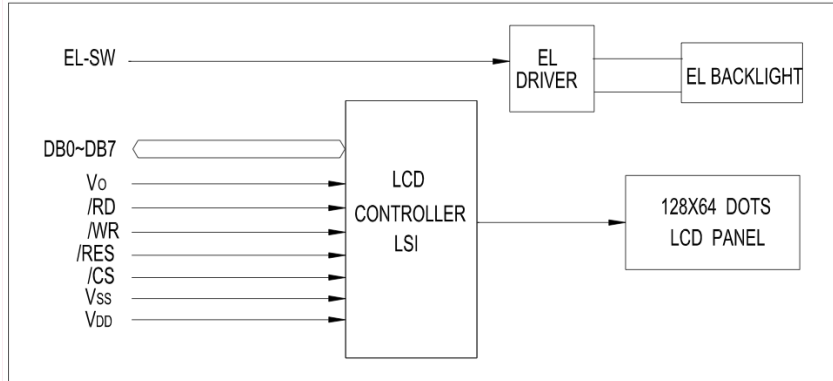


Phoenix Display International, Inc.
www.phoenixdisplay.com sales@phoenixdisplay.com
 Tel: (630) 359-5700 or (480) 775-6315

PRODUCT PREVIEW

128 x 64 Monochrome

2.0 BLOCK DIAGRAM



3.0 ELECTRICAL CHARACTERISTICS Ta=25 °C VDD=3.0V±0.25V

Item	Symbol	Test Condition	Standard Value			
			Min.	Typ.	Max.	Unit
Power Supply Voltage	V _{DD} -V _{SS}	25°C	2.7	3.0	3.6	V
LCD Operation Voltage	V _{OP}			10.5	15	V
LCM Current Consumption	I _{DD}			0.09	0.12	mA
Backlight Forward Voltage	V _F			110		V _{rms}

4.0 ABSOLUTE MAXIMUM RATINGS

Item	Symbol	Test Condition	Standard Value			
			Min.	Max.	Unit	
Supply Voltage (Logic)	V _{DD} -V _{SS}	25°C	-0.3	7	V	
Supply Voltage (LCD)	V _{DD} -V _O			-0.3	17	V
Input Voltage	V _{IN}			-0.3	V _{DD} +0.3	V
Operating Temp.	T _{OPR}		-20	70	°C	
Storage Temp.	T _{STG}		-30	80	°C	

5.0 PIN ASSIGNMENT

PIN No.	Symbol	Description
1	A0	H: Data signal L: Instruction signal
2	RD	Rear mode
3	WR	Write mode
4	/RES	Reset signal
5	/CS	Chip select pin
6	GND	Ground
7	EL_SW	EL Back Light Enable Pin
8	VDD	Supply Voltage For Logic
9	D0	DATA BIT 0
10	D1	DATA BIT 1
11	D2	DATA BIT 2
12	D3	DATA BIT 3
13	D4	DATA BIT 4
14	D5	DATA BIT 5
15	D6	DATA BIT 6
16	D7	DATA BIT 7

Remark

- LCD option: STN, FSTN .
- Customized module.
- Backlight option: EL backlight feature, other specs not available on catalog is under request.

