

Phoenix Display International, Inc.

PRODUCT PREVIEW

240 x 64 Monochrome

TN/STN

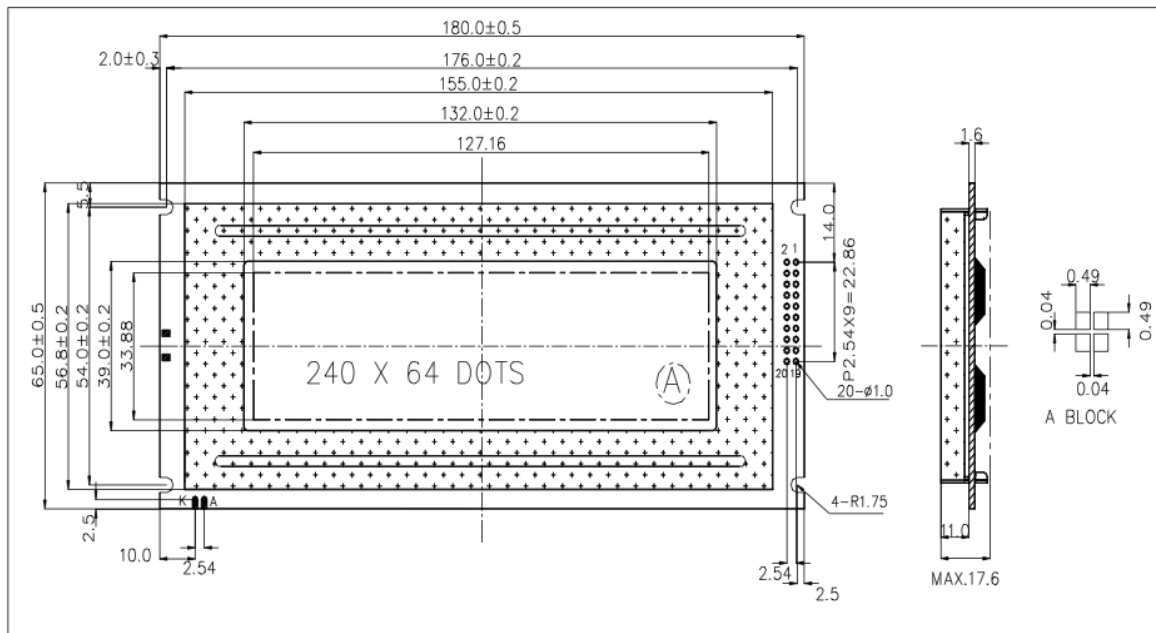
Graphics
Liquid Crystal Display

SPECIFICATIONS

MODULE

Part Number	G-2406406C-VA
Format	240 Columns by 64 Rows
Controller	T6B65A
Overall Dimensions	180.0mm x 65.0mm x 17.6mm
Active Area	127.1mm x 33.9mm
Pixel Pitch	440um x 600um
Pixel Size	390um x 550um
Backlight System	LED
Driver Attach	Chip on Board (COB)
Glass Type	STN, FSTN
Display Type	R,TF,TM
Duty	1/64

1.0 DIMENSIONAL DRAWING



Phoenix Display International reserves the right to change this document without prior notice and disclaims all warranties. It is the recipient's duty to confirm with PDI before proceeding with a design. This document is PDI confidential and should not be reproduced without PDI approval.

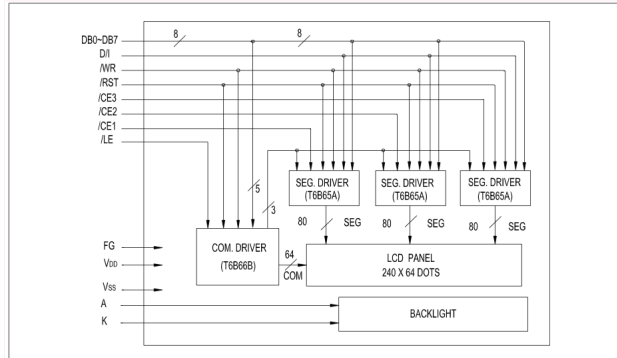


Phoenix Display International, Inc.
www.phoenixdisplay.com sales@phoenixdisplay.com
 Tel: (630) 359-5700 or (480) 775-6315

PRODUCT PREVIEW

240 x 64 Monochrome

2.0 BLOCK DIAGRAM



3.0 ELECTRICAL CHARACTERISTICS $T_a=25^\circ\text{C}$ $V_{DD}=5.0V\pm 0.25V$

Item	Symbol	Test Condition	Standard Value			
			Min.	Typ.	Max.	Unit
Power Supply Voltage	$V_{DD}-V_{SS}$	25°C	4.5	5.0	5.5	V
LCD Operation Voltage	V_{OP}		-	12.6	-	V
LCM Current Consumption	I_{OD}		-	12.0	20.0	mA
Backlight Forward Voltage	V_F		-	4.2	-	V

4.0 ABSOLUTE MAXIMUM RATINGS

Item	Symbol	Test Condition	Standard Value		
			Min.	Max.	Unit
Supply Voltage (Logic)	$V_{DD}-V_{SS}$	25°C	-0.3	7.0	V
Supply Voltage (LCD)	$V_{DD}-V_O$		-0.3	17.5	V
Input Voltage	V_{IN}		-0.3	$V_{DD}+0.3$	V
Operating Temp.	T_{OPR}	-	0	50	°C
Storage Temp.	T_{STG}	-	-20	70	°C

5.0 PIN ASSIGNMENT

PIN No.	Symbol	Description
1	FG	Frame Ground
2	GND	Power supply(GND)
3	V_{DD}	Power supply
4	/DI	Data/Instruction select
5	WR	Data write
6	/LE	COM driver latch enable
7	/CE1	SEG driver 1 Chip Enable
8	/CE2	SEG driver 2 Chip Enable
9	/CE3	SEG driver 3 Chip Enable
10	/RST	Reset signal
11~18	DB0~DB7	Data bus
19	NC	No connection
20	NC	No connection
21	LEDK	LED Back-light
22	LEDA	LED Back-light

Remark

- LCD option: STN, FSTN .
- Standard module.
- Backlight option: LED EL backlight feature, other specs not available on catalog is under request.

