



Phoenix Display International, Inc.

PRODUCT PREVIEW

2.7" 128 X 128 Monochrome

TN/STN

Graphics
Liquid Crystal Display

Small Size Graphics

The PDIG-12812856G(R)-VB is Monochrome with a 128 x 128 resolution. All our graphic displays products can be modified to add touch panels or removed upon request (there may or may not be tooling associated with touch-panel changes)

Product Application(s)

The products usage:

- Testing and Measurement
- Hand Held mobile
- Communication
- Military
- Consumer Devices

SPECIFICATIONS

MODULE

Part Number	PDIG-12812856G(R)-VB
Overall Dimensions	76.0mm x 63.0mm x 13.0mm
Power Supply	3.3V
Backlight System	White LED
Display Type	STN, Negative, Transmissive
Format	128 x 128
Active Area	44.78mm x 53.10mm
Dot Size	0.395mm x 0.33mm
Pixel Pitch	0.02mm x 0.02mm
Operating Temperature	-20°C to 70°C
Driver Attach	COG
Brightness	
Controller	ST7541i





Phoenix Display International, Inc.

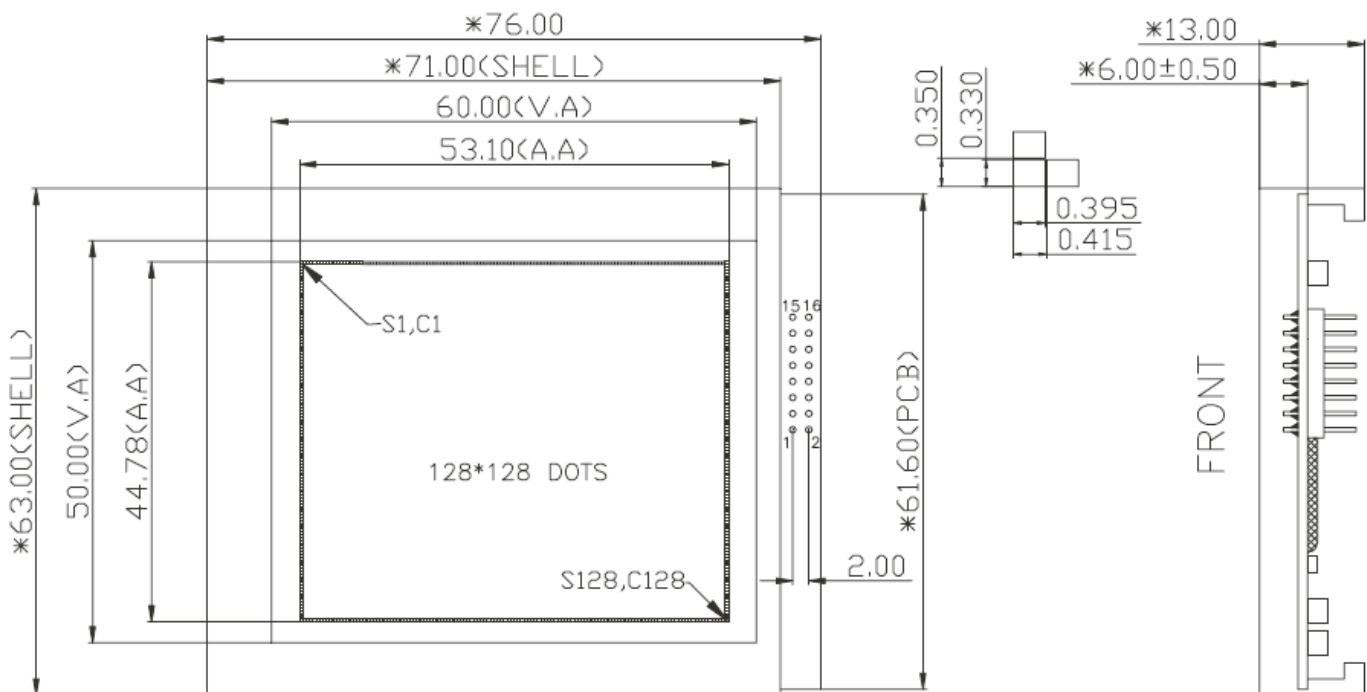
PRODUCT PREVIEW

2.7" 128 X 128 Monochrome

TN/STN

Graphics
Liquid Crystal Display

DIMENSIONAL DRAWING



Phoenix Display International reserves the right to change this document without prior notice and disclaims all warranties. It is the recipient's duty to confirm with PDI before proceeding with a design. This document is PDI confidential and should not be reproduced without PDI approval.



Phoenix Display International, Inc.
www.phoenixdisplay.com sales@phoenixdisplay.com
Tel: (630) 359-5700



Phoenix Display International, Inc.

TN/STN

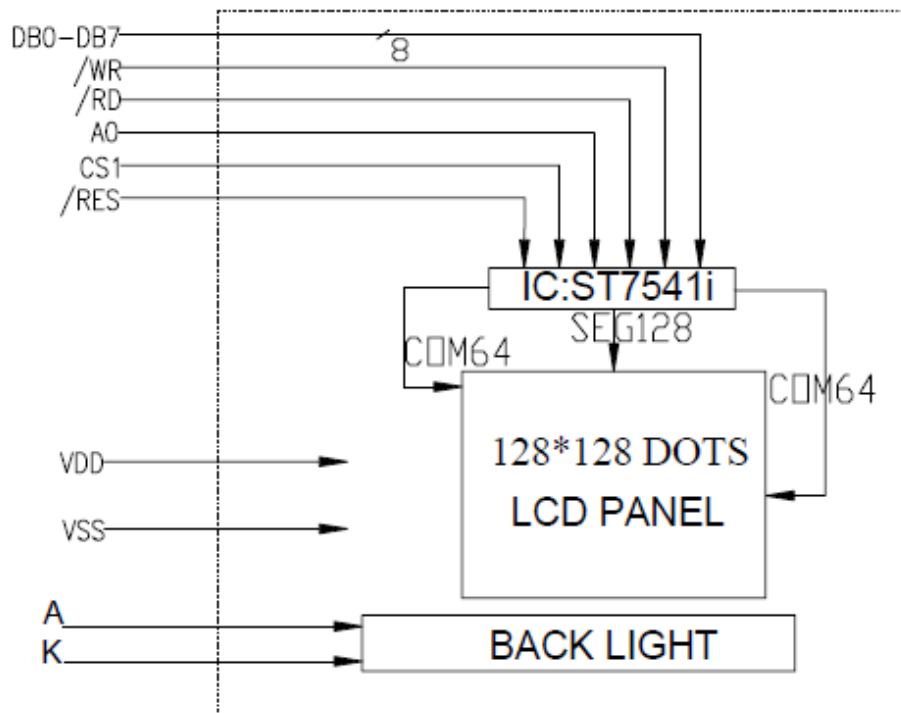
Graphics
Liquid Crystal Display

PRODUCT PREVIEW

2.7" 128 X 128 Monochrome

PIN ASSIGNMENT

PIN	1	2	3	4	5	6	7	8
SYMBOL	RS	/CS	RD	/RES	DB7	WR	DB5	DB6
PIN	9	10	11	12	13	14	15	16
SYMBOL	DB3	DB4	DB0	DB2	BLE	DB1	VCC	VSS



Phoenix Display International reserves the right to change this document without prior notice and disclaims all warranties. It is the recipient's duty to confirm with PDI before proceeding with a design. This document is PDI confidential and should not be reproduced without PDI approval.



Phoenix Display International, Inc.
www.phoenixdisplay.com sales@phoenixdisplay.com
 Tel: (630) 359-5700