



Phoenix Display International, Inc.

PRODUCT PREVIEW

2.4" 128 X 64 Monochrome

TN/STN

Graphics
Liquid Crystal Display

Small Size Graphics

The PDIG-128641RG-VA is Monochrome with a 128 x 64 resolution. All our graphic displays products can be modified to add touch panels or removed upon request (there may or may not be tooling associated with touch-panel changes)

Product Application(s)

The products usage:

- Testing and Measurement
- Hand Held mobile
- Communication
- Military
- Consumer Devices

SPECIFICATIONS

MODULE

Part Number	PDIG-128641RG(R)-VA
Overall Dimensions	63.5mm x 42.2mm x 2.8mm
Power Supply	3.0V
Backlight System	No
Display Type	FSTN, Postive, Transflective
Format	128 x 64
Active Area	55.01mm x 27.49mm
Dot Size	0.4mm x 0.4mm
Pixel Pitch	0.03mm x 0.03mm
Operatimg Temperature	-20 ^o C to 70 ^o C
Driver Attach	COG
Brightness	
Controller	ST7567P





Phoenix Display International, Inc.

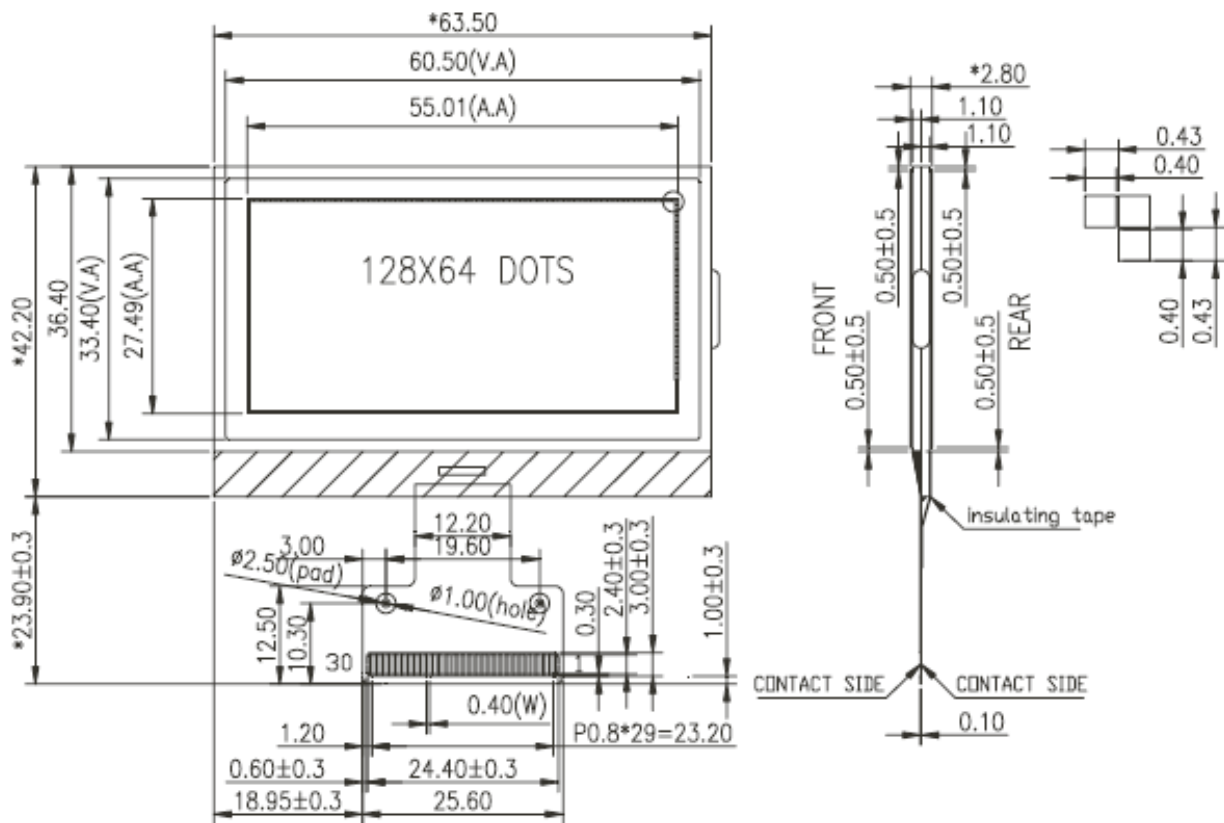
PRODUCT PREVIEW

2.4" 128 X 64 Monochrome

TN/STN

Graphics
Liquid Crystal Display

DIMENSIONAL DRAWING





Phoenix Display International, Inc.

TN/STN

Graphics
Liquid Crystal Display

PRODUCT PREVIEW

2.4" 128 X 64 Monochrome

PIN ASSIGNMENT

PIN	1	2	3	4	5	6~11	12	13	14	15	16
SYMBOL	/CS1	/RES	AO	(R/W)/WR	E/RD	DB0~DB5	DB6;SCL	DB7;SI	VDD	VSS	VOUT
PIN	17	18	19	20	21	22~26	27	28	29	30	
SYMBOL	C3P	C1N	C1P	C2P	C2N	V4~V0	VDD	C86	P/S	VSS	

