



Phoenix Display International, Inc.

PRODUCT PREVIEW

2.9" 128 X 64 Monochrome

TN/STN

Graphics
Liquid Crystal Display

Small Size Graphics

The PDIG-12864A4C(R)-VB is Monochrome with a 128 x 64 resolution. All our graphic displays products can be modified to add touch panels or removed upon request (there may or may not be tooling associated with touch-panel changes)

Product Application(s)

The products usage:

- Testing and Measurement
- Hand Held mobile
- Communication
- Military
- Consumer Devices

SPECIFICATIONS

MODULE

Part Number	PDIG-12864A4C(R)-VB
Overall Dimensions	113.0mm x 65.0mm x 13.5mm
Power Supply	5.0V
Backlight System	whiteLED
Display Type	STN, Negative, Transmissive
Format	128 x 64
Active Area	66.52mm x 33.24mm
Dot Size	0.48mm x 0.48mm
Pixel Pitch	0.04mm x 0.04mm
Operating Temperature	-20°C to 70°C
Driver Attach	COB
Brightness	
Controller	SBN6400/SBN0064G





Phoenix Display International, Inc.

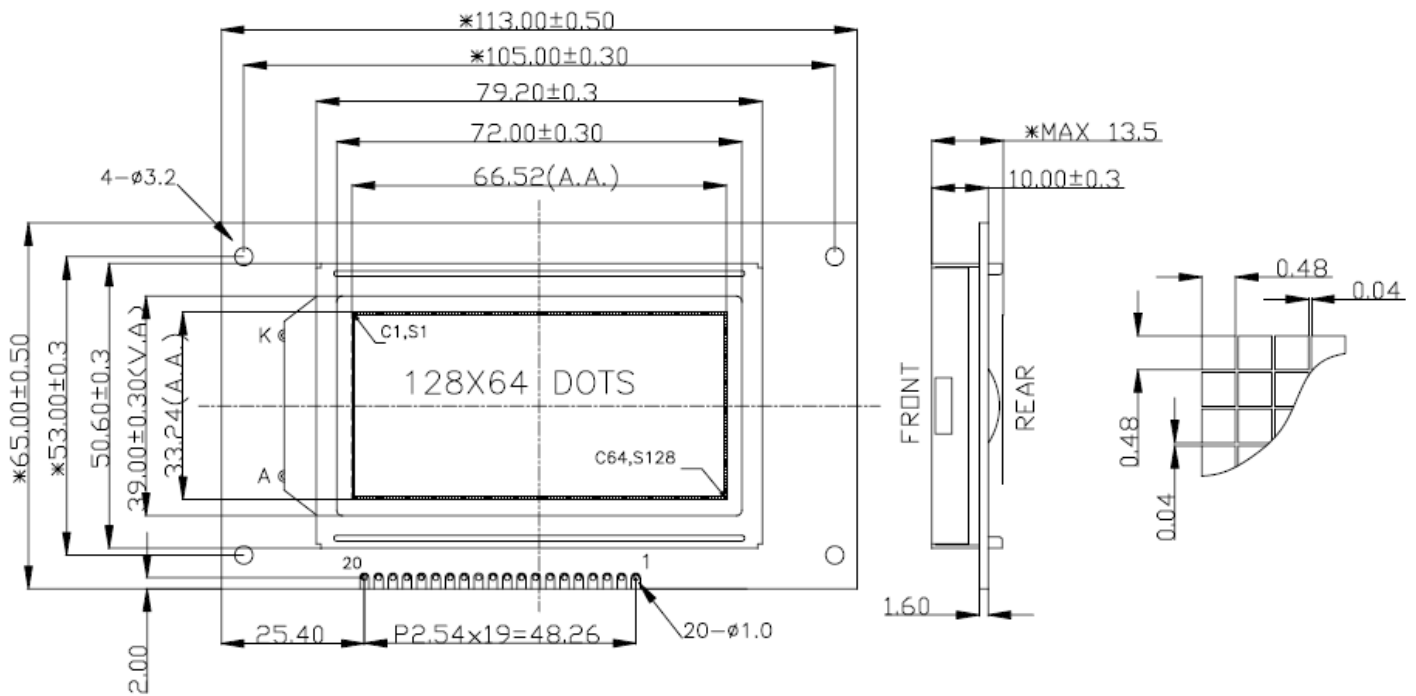
PRODUCT PREVIEW

2.9" 128 X 64 Monochrome

TN/STN

Graphics
Liquid Crystal Display

DIMENSIONAL DRAWING



Phoenix Display International reserves the right to change this document without prior notice and disclaims all warranties. It is the recipient's duty to confirm with PDI before proceeding with a design. This document is PDI confidential and should not be reproduced without PDI approval.



Phoenix Display International, Inc.
www.phoenixdisplay.com sales@phoenixdisplay.com
Tel: (630) 359-5700



Phoenix Display International, Inc.

TN/STN

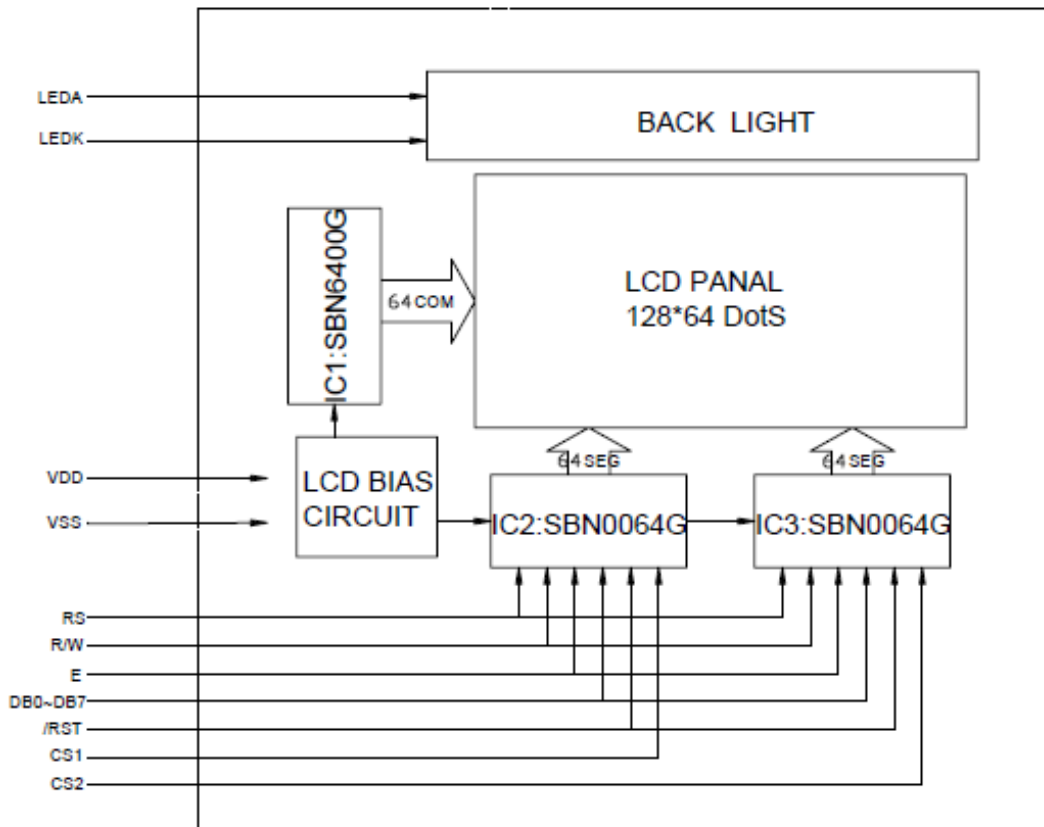
Graphics
Liquid Crystal Display

PRODUCT PREVIEW

2.9" 128 X 64 Monochrome

PIN ASSIGNMENT

PIN NO.	1	2	3	4	5	6	7	8	9	10
SYMBOL	VSS	VDD	V0	RS	RW	E	DB0	DB1	DB2	DB3
PIN NO.	11	12	13	14	15	16	17	18	19	20
SYMBOL	DB4	DB5	DB6	DB7	CS1	CS2	RST	VOUT	LEDA	LEDK



Phoenix Display International reserves the right to change this document without prior notice and disclaims all warranties. It is the recipient's duty to confirm with PDI before proceeding with a design. This document is PDI confidential and should not be reproduced without PDI approval.



Phoenix Display International, Inc.
www.phoenixdisplay.com sales@phoenixdisplay.com
 Tel: (630) 359-5700