



Phoenix Display International, Inc.

PRODUCT PREVIEW

2.9" 128 X 64 Monochrome

TN/STN

Graphics
Liquid Crystal Display

Small Size Graphics

The PDIG-12864F3C(R)-VF is Monochrome with a 128 x 64 resolution. All our graphic displays products can be modified to add touch panels or removed upon request (there may or may not be tooling associated with touch-panel changes)

Product Application(s)

The products usage:

- Testing and Measurement
- Hand Held mobile
- Communication
- Military
- Consumer Devices

SPECIFICATIONS

MODULE

Part Number	PDIG-12864F3C(R)-VF
Overall Dimensions	95.0mm x 68.0mm x 13.4mm
Power Supply	5.0V
Backlight System	Yellow-Green LED
Display Type	STN, Postive, Transflective
Format	128 x 64
Active Area	66.52mm x 33.24mm
Dot Size	0.48mm x 0.48mm
Pixel Pitch	0.04mm x 0.04mm
Opertaing Temperature	-20°C to 70°C
Driver Attach	COB
Brightness	
Controller	SBN0064G





Phoenix Display International, Inc.

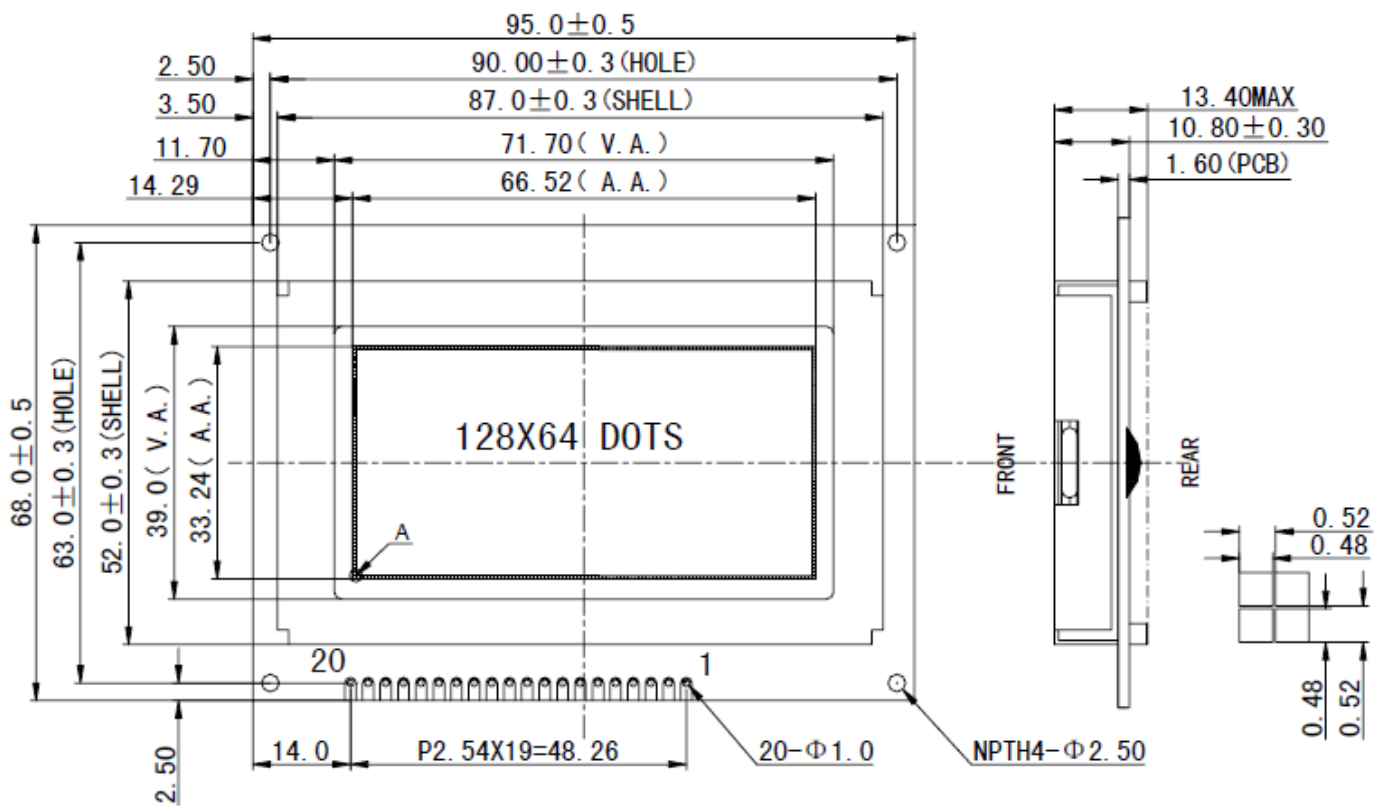
PRODUCT PREVIEW

2.9" 128 X 64 Monochrome

TN/STN

Graphics
Liquid Crystal Display

DIMENSIONAL DRAWING



Phoenix Display International reserves the right to change this document without prior notice and disclaims all warranties. It is the recipient's duty to confirm with PDI before proceeding with a design. This document is PDI confidential and should not be reproduced without PDI approval.



Phoenix Display International, Inc.

www.phoenixdisplay.com sales@phoenixdisplay.com

Tel: (630) 359-5700



Phoenix Display International, Inc.

TN/STN

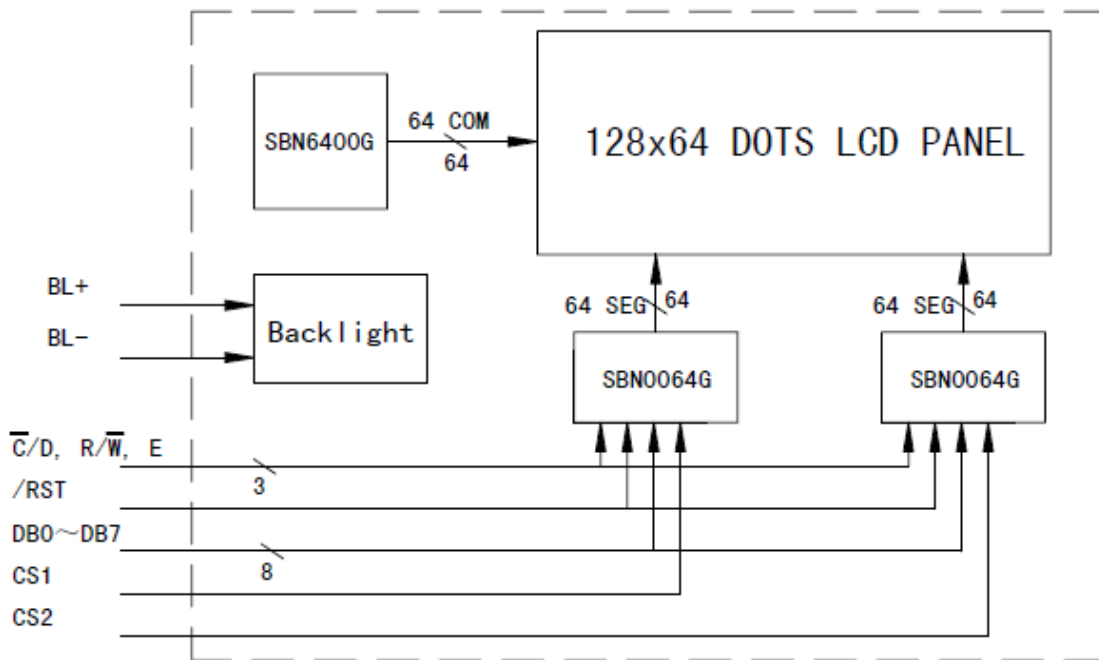
Graphics
Liquid Crystal Display

PRODUCT PREVIEW

2.9" 128 X 64 Monochrome

PIN ASSIGNMENT

PIN	1	2	3	4	5	6	7-14	15	16	17	18	19	20
SYMBOL	VSS	VDD	VO	$\overline{C/D}$	R/\overline{W}	E	DB0-DB7	CS1	CS2	RSTB	NC	BL+	BL-



Phoenix Display International reserves the right to change this document without prior notice and disclaims all warranties. It is the recipient's duty to confirm with PDI before proceeding with a design. This document is PDI confidential and should not be reproduced without PDI approval.

