



*Phoenix Display International, Inc.*

# PRODUCT PREVIEW

## 1.3" 128 X 64 Monochrome

# TN/STN

Graphics  
Liquid Crystal Display

### Small Size Graphics

The PDIG-12864F6G(R)-VE is Monochrome with a 128 x 32 resolution. All our graphic displays products can be modified to add touch panels or removed upon request (there may or may not be tooling associated with touch-panel changes)

### Product Application(s)

The products usage:

- Testing and Measurement
- Hand Held mobile
- Communication
- Military
- Consumer Devices

## SPECIFICATIONS

### MODULE

Part Number	PDIG-12864F6G(R)-VE
Overall Dimensions	35.2mm x 29.5mm x 2.0mm
Power Supply	3.0V
Backlight System	
Display Type	FSTN, Postive, Transflective
Format	128 x 64
Active Area	27.49mm x 16.29mm
Dot Size	0.185mm x 0.225mm
Pixel Pitch	0.03mm x 0.03mm
Operatimg Temperature	-20°C to 70°C
Driver Attach	COG
Brightness	
Controller	ST7567P





Phoenix Display International, Inc.

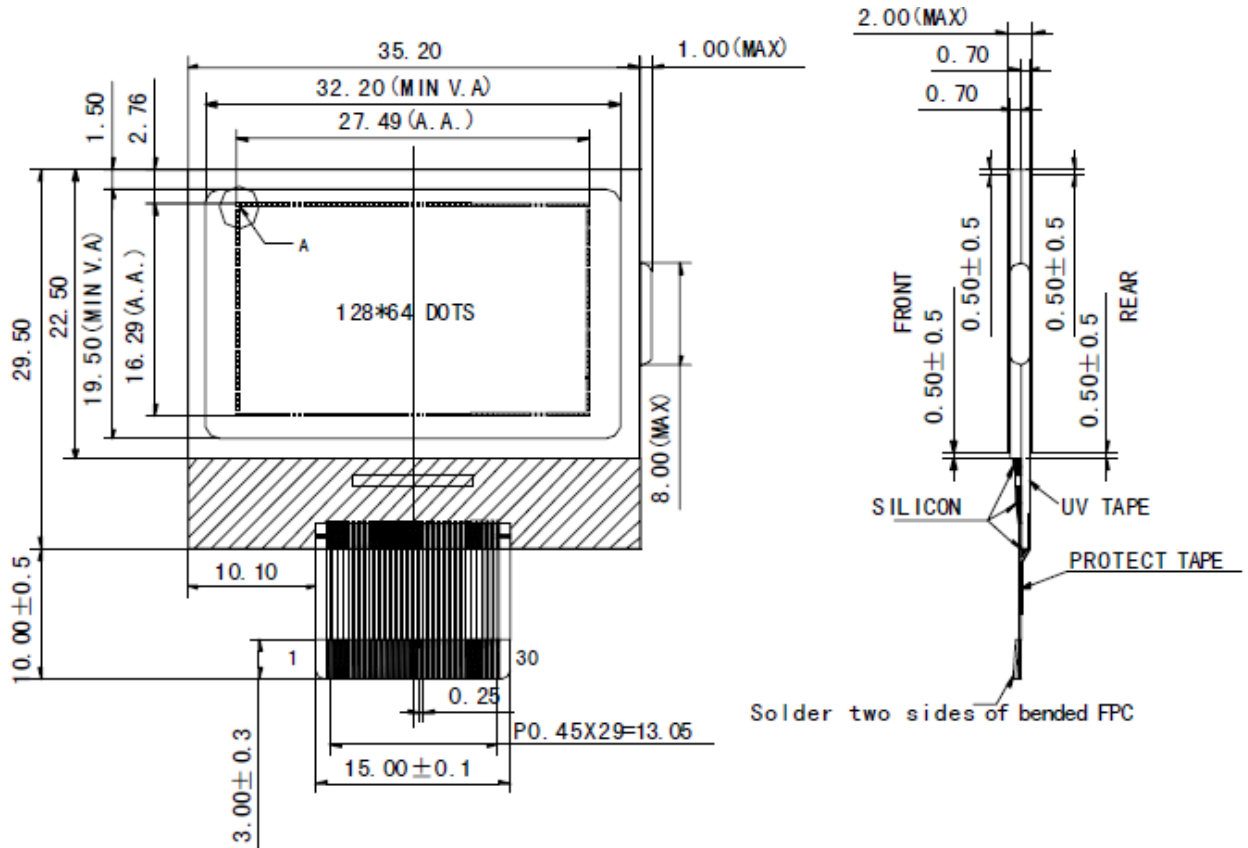
# PRODUCT PREVIEW

## 1.3" 128 X 64 Monochrome

# TN/STN

Graphics  
Liquid Crystal Display

### DIMENSIONAL DRAWING



Phoenix Display International reserves the right to change this document without prior notice and disclaims all warranties. It is the recipient's duty to confirm with PDI before proceeding with a design. This document is PDI confidential and should not be reproduced without PDI approval.



Phoenix Display International, Inc.  
www.phoenixdisplay.com sales@phoenixdisplay.com  
Tel: (630) 359-5700



*Phoenix Display International, Inc.*

**TN/STN**

Graphics  
Liquid Crystal Display

# PRODUCT PREVIEW

## 1.3" 128 X 64 Monochrome

### PIN ASSIGNMENT

PIN	1	2	3	4	5	6	7	8	9	10	11	12
SYMBOL	IRS	P/S	C86	VR	VO	V1	V2	V3	V4	C2-	C2+	C1+
PIN	13	14	15	16	17	18-25	26	27	28	29	30	
SYMBOL	C1-	C3+	VOUT	VSS	VDD	DB7-DB0	E	RW	A0	/RES	/CS1	

