



Phoenix Display International, Inc.

PRODUCT PREVIEW

2.7" 128 X 64 Monochrome

TN/STN

Graphics
Liquid Crystal Display

Small Size Graphics

The PDIG-12864J6G(R)-VC is Monochrome with a 128 x 64 resolution. All our graphic displays products can be modified to add touch panels or removed upon request (there may or may not be tooling associated with touch-panel changes)

Product Application(s)

The products usage:

- Testing and Measurement
- Hand Held mobile
- Communication
- Military
- Consumer Devices

SPECIFICATIONS

MODULE

Part Number	PDIG-12864J6G(R)-VC
Overall Dimensions	70.7mm x 69.9mm x 9.0mm
Power Supply	3.3V
Backlight System	White LED
Display Type	FSTN, Postive, Transflective
Format	128 x 64
Active Area	38.35mm x 56.27mm
Dot Size	0.55mm x 0.36mm
Pixel Pitch	0.05mm x 0.05mm
Operatimg Temperature	-20 ^o C to 70 ^o C
Driver Attach	
Brightness	
Controller	SPLC501C





Phoenix Display International, Inc.

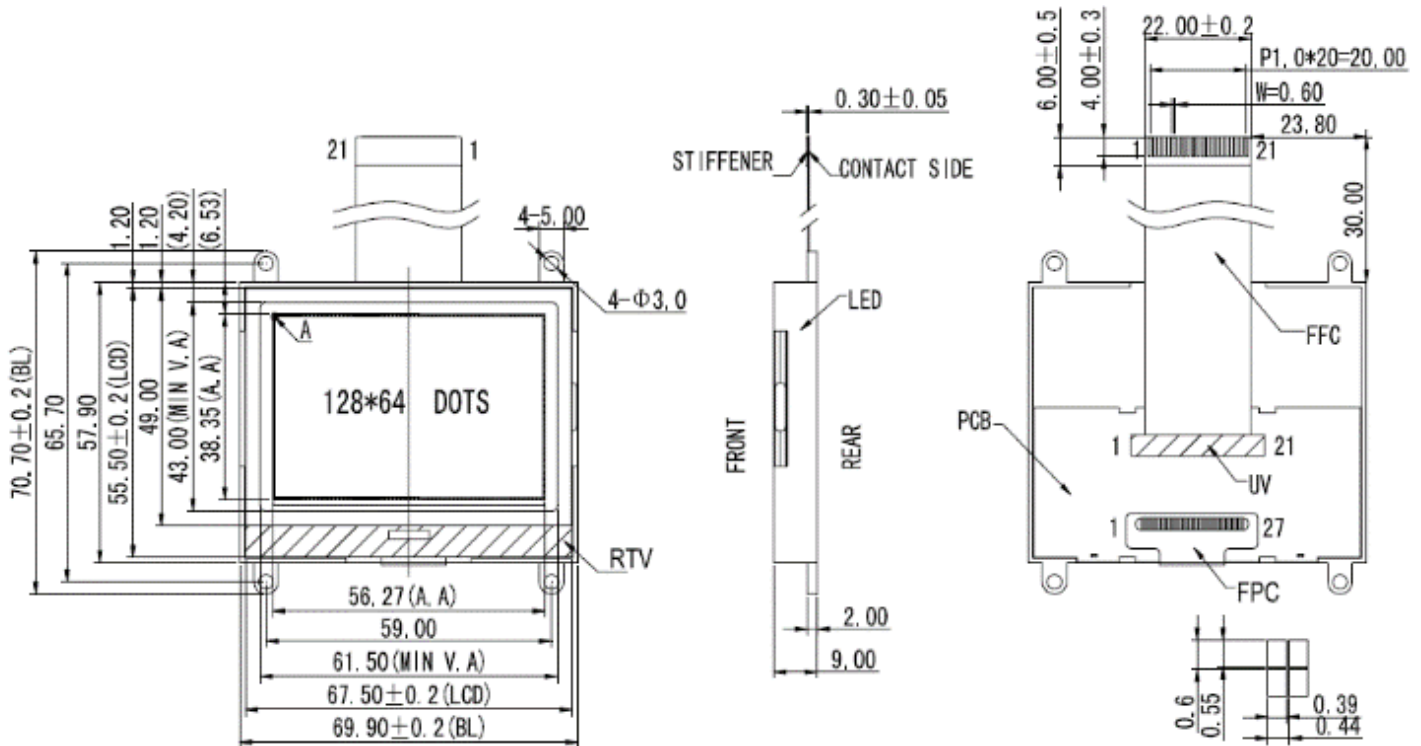
PRODUCT PREVIEW

2.7" 128 X 64 Monochrome

TN/STN

Graphics
Liquid Crystal Display

DIMENSIONAL DRAWING



Phoenix Display International reserves the right to change this document without prior notice and disclaims all warranties. It is the recipient's duty to confirm with PDI before proceeding with a design. This document is PDI confidential and should not be reproduced without PDI approval.



Phoenix Display International, Inc.
www.phoenixdisplay.com sales@phoenixdisplay.com
Tel: (630) 359-5700



Phoenix Display International, Inc.

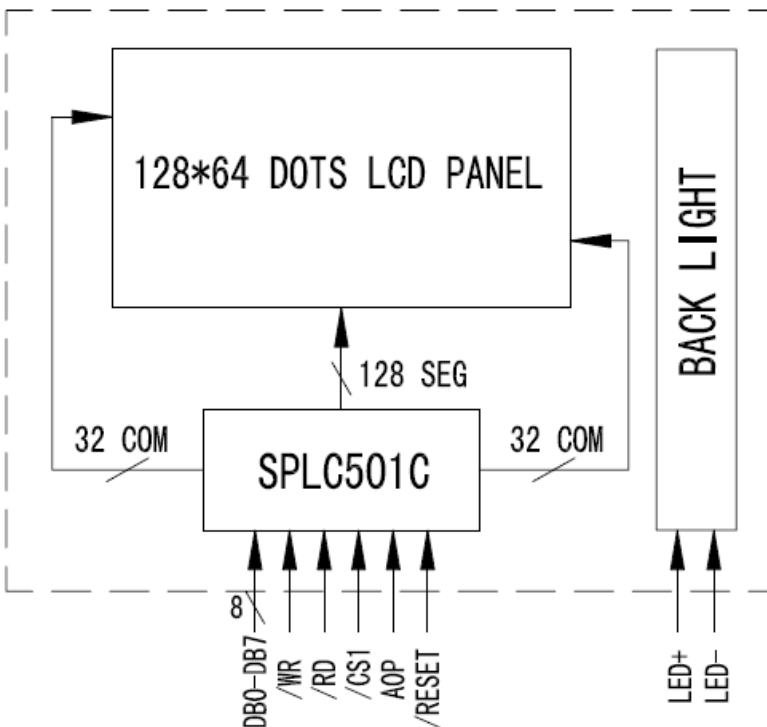
PRODUCT PREVIEW

2.7" 128 X 64 Monochrome

TN/STN

Graphics
Liquid Crystal Display

PIN ASSIGNMENT



PIN	SYMBOL
1	VSS
2	VDD
3	VO
4	/WR
5	/RD
6	/CS1
7	AOP
8	/RESET
9-16	DB0-DB7
17	P/S
18	LED+
19	LED-
20	LED-
21	LED-

