



Phoenix Display International, Inc.

PRODUCT PREVIEW

3.0" 160 X 160 Monochrome

TN/STN

Graphics
Liquid Crystal Display

Small Size Graphics

The PDIG-16016030G(R)-VA is Monochrome with a 160 x 160 resolution. All our graphic displays products can be modified to add touch panels or removed upon request (there may or may not be tooling associated with touch-panel changes)

Product Application(s)

The products usage:

- Testing and Measurement
- Hand Held mobile
- Communication
- Military
- Consumer Devices

SPECIFICATIONS

MODULE

Part Number	PDIG-16016030G(R)-VA
Overall Dimensions	63.35mm x 69.3mm x 2.1mm
Power Supply	3.3V
Backlight System	
Display Type	FSTN, Postive, High-Transflective
Format	160 x 160
Active Area	54.38mm x 54.38mm
Dot Size	0.32mm x 0.32mm
Pixel Pitch	0.02mm x 0.02mm
Operatg Temperature	-20°C to 70°C
Driver Attach	COG
Brightness	
Controller	UC1698U





Phoenix Display International, Inc.

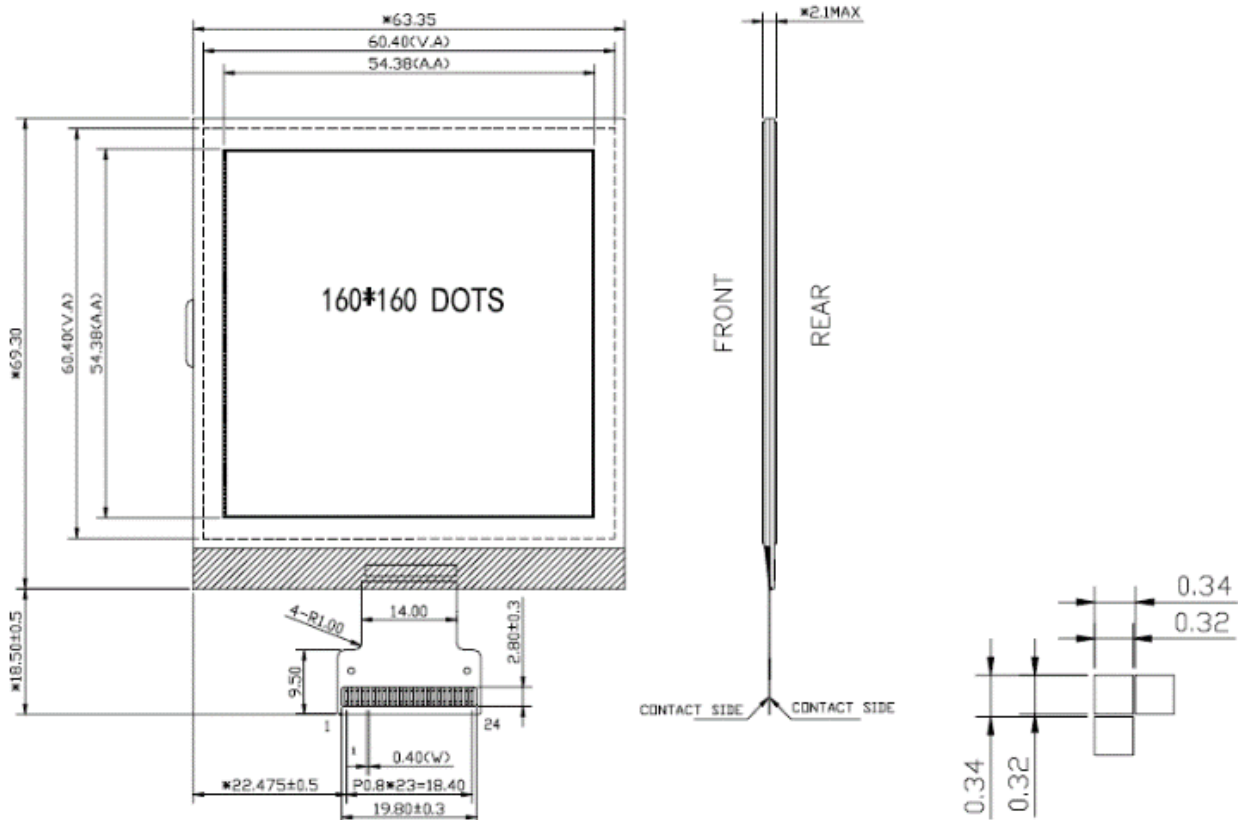
PRODUCT PREVIEW

3.0" 160 X 160 Monochrome

TN/STN

Graphics
Liquid Crystal Display

DIMENSIONAL DRAWING



Phoenix Display International reserves the right to change this document without prior notice and disclaims all warranties. It is the recipient's duty to confirm with PDI before proceeding with a design. This document is PDI confidential and should not be reproduced without PDI approval.



Phoenix Display International, Inc.

www.phoenixdisplay.com sales@phoenixdisplay.com

Tel: (630) 359-5700



Phoenix Display International, Inc.

PRODUCT PREVIEW

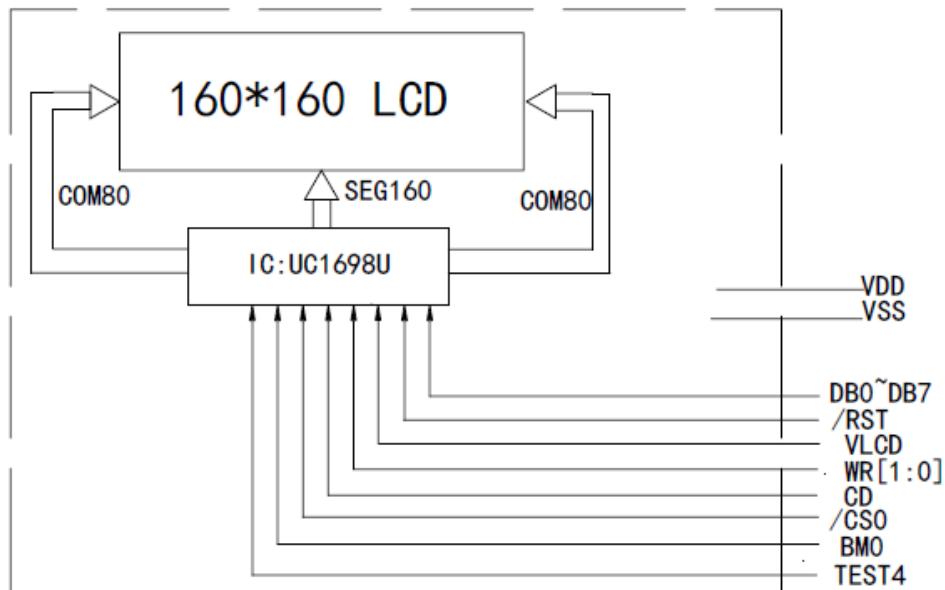
3.0" 160 X 160 Monochrome

TN/STN

Graphics
Liquid Crystal Display

PIN ASSIGNMENT

PIN	1	2	3	4	5	6	7	8	9
SYMBOL	VLCD	VS+	VS-	VBO-	VB1-	VB1+	VBO+	VDD	VSS
PIN	10	11	12	13	14	15	16	17~24	
SYMBOL	TEST4	BMO	/CS0	CD	WR1	WRO	/RST	DB0~DB7	



Phoenix Display International reserves the right to change this document without prior notice and disclaims all warranties. It is the recipient's duty to confirm with PDI before proceeding with a design. This document is PDI confidential and should not be reproduced without PDI approval.



Phoenix Display International, Inc.
www.phoenixdisplay.com sales@phoenixdisplay.com
 Tel: (630) 359-5700