



Phoenix Display International, Inc.

PRODUCT PREVIEW

2.7" 240 X 160 Monochrome

TN/STN

Graphics
Liquid Crystal Display

Small Size Graphics

The PDIG-24016009T(R)-VD is Monochrome with a 240 x 160 resolution. All our graphic displays products can be modified to add touch panels or removed upon request (there may or may not be tooling associated with touch-panel changes).

Product Application(s)

The products usage:

- Testing and Measurement
- Hand Held Mobile
- Communication
- Military
- Consumer Devices

SPECIFICATIONS

MODULE

Part Number	PDIG-24016009T(R)-VD
Overall Dimensions	88.2mm x 57.5mm x 9.5mm
Power Supply	5.0V
Backlight System	LED, Y-G
Display Type	FSTN, Positive, Transflective
Format	240 x 160
Active Area	57.58mm x 38.38mm
Dot Size	0.22mm x 0.22mm
Pixel Pitch	0.02mm x 0.02mm
Operating Temperature	-20°C to 70°C
Driver Attach	TAB
Brightness	
Controller	RA8835





Phoenix Display International, Inc.

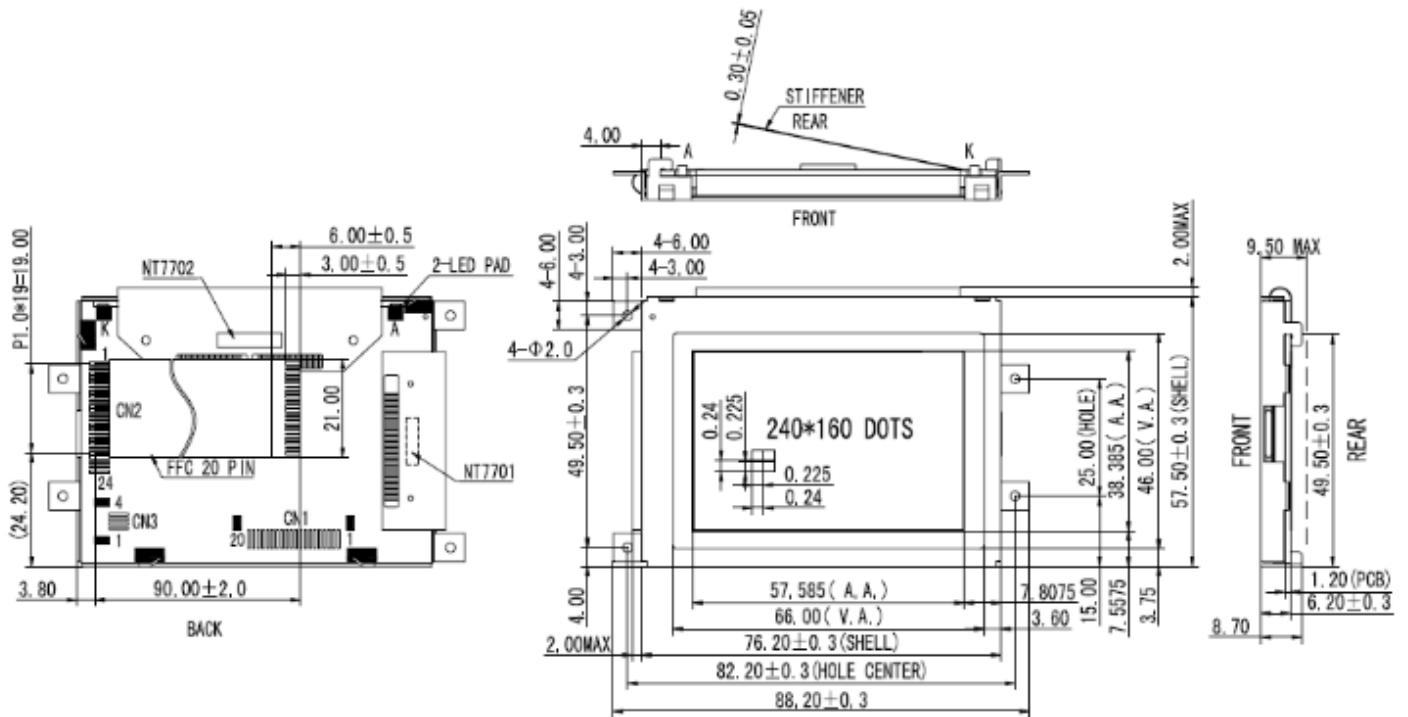
PRODUCT PREVIEW

2.7" 240 X 160 Monochrome

TN/STN

Graphics
Liquid Crystal Display

DIMENSIONAL DRAWING



Phoenix Display International reserves the right to change this document without prior notice and disclaims all warranties. It is the recipient's duty to confirm with PDI before proceeding with a design. This document is PDI confidential and should not be reproduced without PDI approval.



Phoenix Display International, Inc.
www.phoenixdisplay.com sales@phoenixdisplay.com
Tel: (630) 359-5700



Phoenix Display International, Inc.

PRODUCT PREVIEW

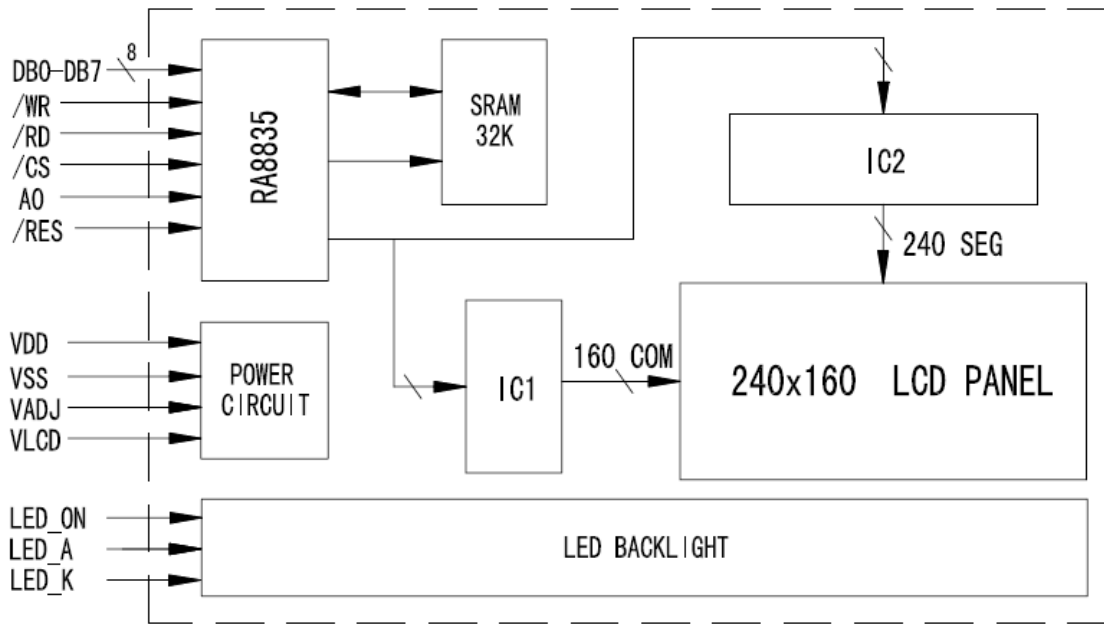
2.7" 240 X 160 Monochrome

TN/STN

Graphics
Liquid Crystal Display

PIN ASSIGNMENT

PIN	1	2	3	4	5	6-13	14	15	16	17	18	19	20
SYMBOL	/RES	/RD	/WR	/CS	A0	DB0-DB7	VDD	VSS	VLCD	VADJ	LED_ON	LED_A	LED_K



Phoenix Display International reserves the right to change this document without prior notice and disclaims all warranties. It is the recipient's duty to confirm with PDI before proceeding with a design. This document is PDI confidential and should not be reproduced without PDI approval.

