



Phoenix Display International, Inc.

PRODUCT PREVIEW

3.9" 240 X 160 Monochrome

TN/STN

Graphics
Liquid Crystal Display

Small Size Graphics

The PDIG-24016020G(R)-VA is Monochrome with a 240 x 160 resolution. All our graphic displays products can be modified to add touch panels or removed upon request (there may or may not be tooling associated with touch-panel changes).

Product Application(s)

The products usage:

- Testing and Measurement
- Hand Held Mobile
- Communication
- Military
- Consumer Devices

SPECIFICATIONS

MODULE

Part Number	PDIG-24016020G(R)-VA
Overall Dimensions	101.0mm x 74.5mm x 7.5mm
Power Supply	3.0V
Backlight System	White LED
Display Type	FSTN, Positive, Transflective
Format	240 x 160
Active Area	81.58mm x 54.38mm
Dot Size	0.32mm x 0.32mm
Pixel Pitch	0.02mm x 0.02mm
Operating Temperature	-20°C to 70°C
Driver Attach	COG
Brightness	
Controller	UC1698U





Phoenix Display International, Inc.

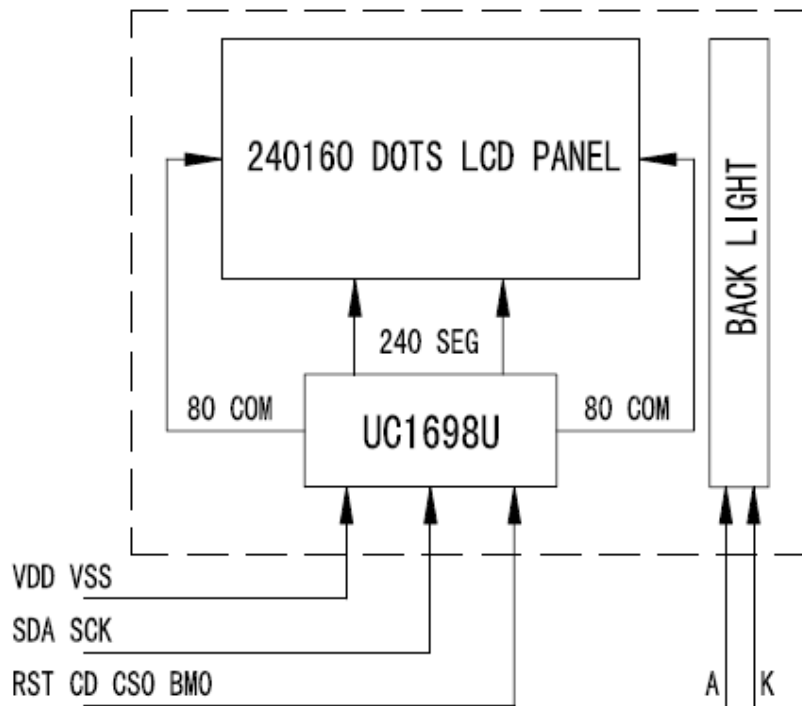
PRODUCT PREVIEW

3.9" 240 X 160 Monochrome

TN/STN

Graphics
Liquid Crystal Display

PIN ASSIGNMENT



PIN	SYMBOL
1	NC
2	SDA
3	SCK
4	RST
5	CD
6	CSO
7	BMO
8	NC (TST4)
9	VSS
10	VDD
11	VBO+
12	VB1+
13	VB1-
14	VBO-
15	VS-
16	VS+
17	VLCD IN
18	VLCDOUT

