



Phoenix Display International, Inc.

PRODUCT PREVIEW

5.2" 240 X 64 Monochrome

TN/STN

Graphics
Liquid Crystal Display

Mid-Size Graphics

The PDIG-2406402S(R)-VG is Monochrome with a 240 x 64 resolution. All our graphic displays products can be modified to add touch panels or removed upon request (there may or may not be tooling associated with touch-panel changes)

Product Application(s)

The products usage:

- Testing and Measurement
- Hand Held mobile
- Communication
- Military
- Consumer Devices
- Industrial
- Medical

SPECIFICATIONS

MODULE

Part Number	PDIG-2406402S(R)-VG
Overall Dimensions	180.0mm x 65.0mm x 21.5mm
Power Supply	5.0V
Backlight System	
Display Type	STN, Negative, Transmissive
Format	240 x 64
Active Area	97.486mm x 32.462mm
Dot Size	0.458mm x 0.458mm
Pixel Pitch	0.05mm x 0.05mm
Operating Temperature	-20°C to 70°C
Driver Attach	SMT
Brightness	
Controller	SAP1024





Phoenix Display International, Inc.

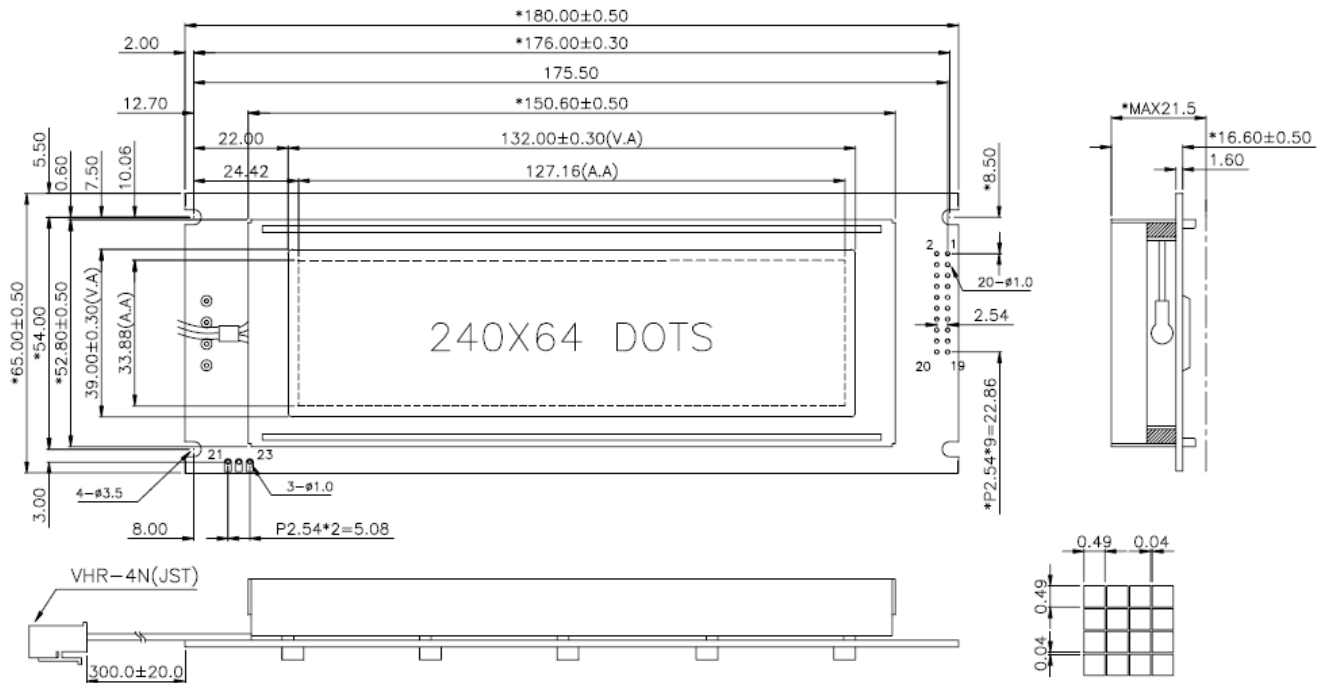
PRODUCT PREVIEW

5.2" 240 X 64 Monochrome

TN/STN

Graphics
Liquid Crystal Display

DIMENSIONAL DRAWING



Phoenix Display International reserves the right to change this document without prior notice and disclaims all warranties. It is the recipient's duty to confirm with PDI before proceeding with a design. This document is PDI confidential and should not be reproduced without PDI approval.



Phoenix Display International, Inc.

www.phoenixdisplay.com sales@phoenixdisplay.com

Tel: (630) 359-5700



Phoenix Display International, Inc.

TN/STN

Graphics
Liquid Crystal Display

PRODUCT PREVIEW

5.2" 240 X 64 Monochrome

PIN ASSIGNMENT

PIN NO.	1	2	3	4	5	6	7	8	9	10
SYMBOL	FG	VSS	VDD	V0	/WR	/RD	/CE	C/D	NC	/RST
PIN NO.	11	12	13	14	15	16	17	18	19	20
SYMBOL	DB0	DB1	DB2	DB3	DB4	DB5	DB6	DB7	FS	NC

